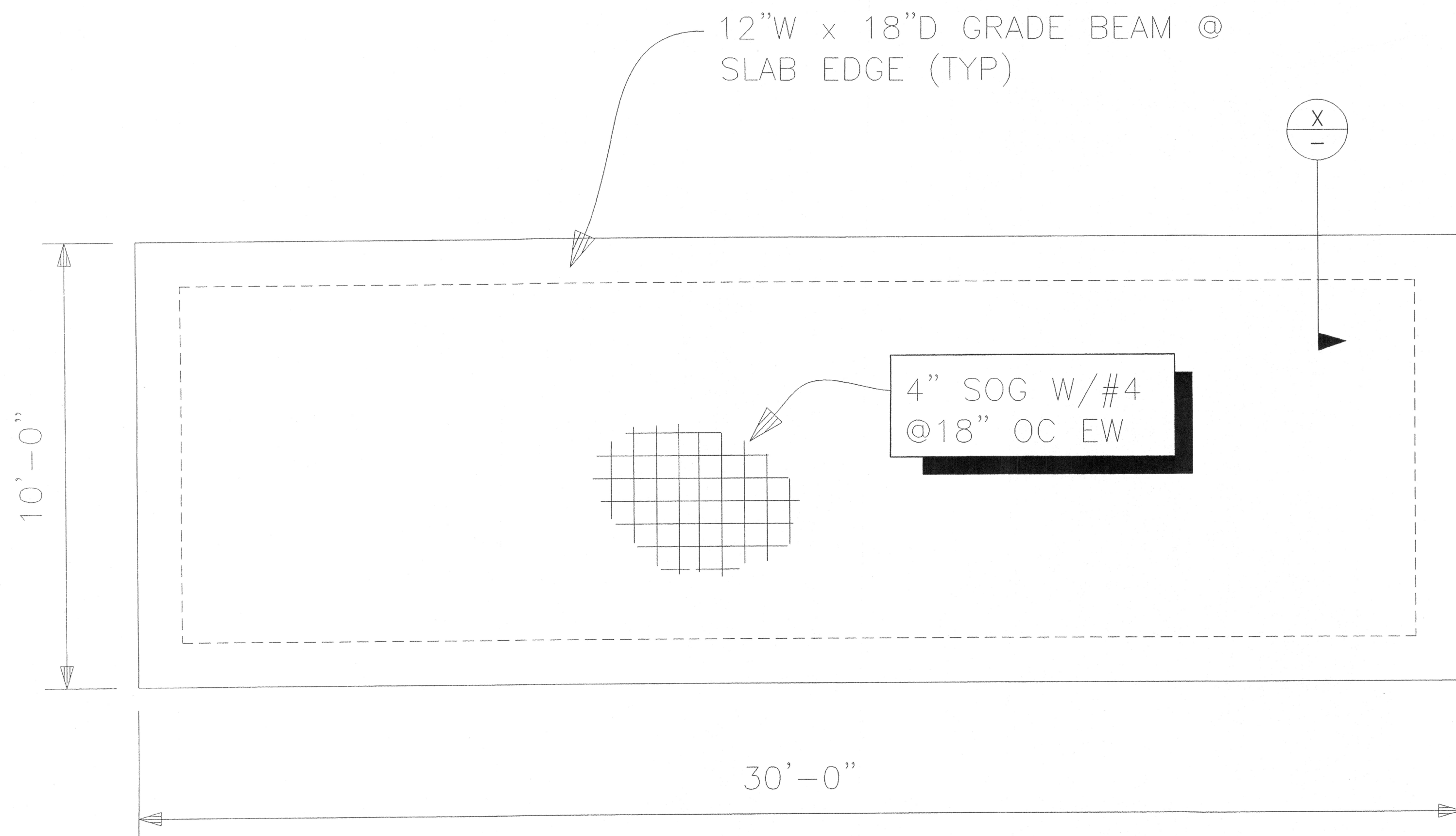
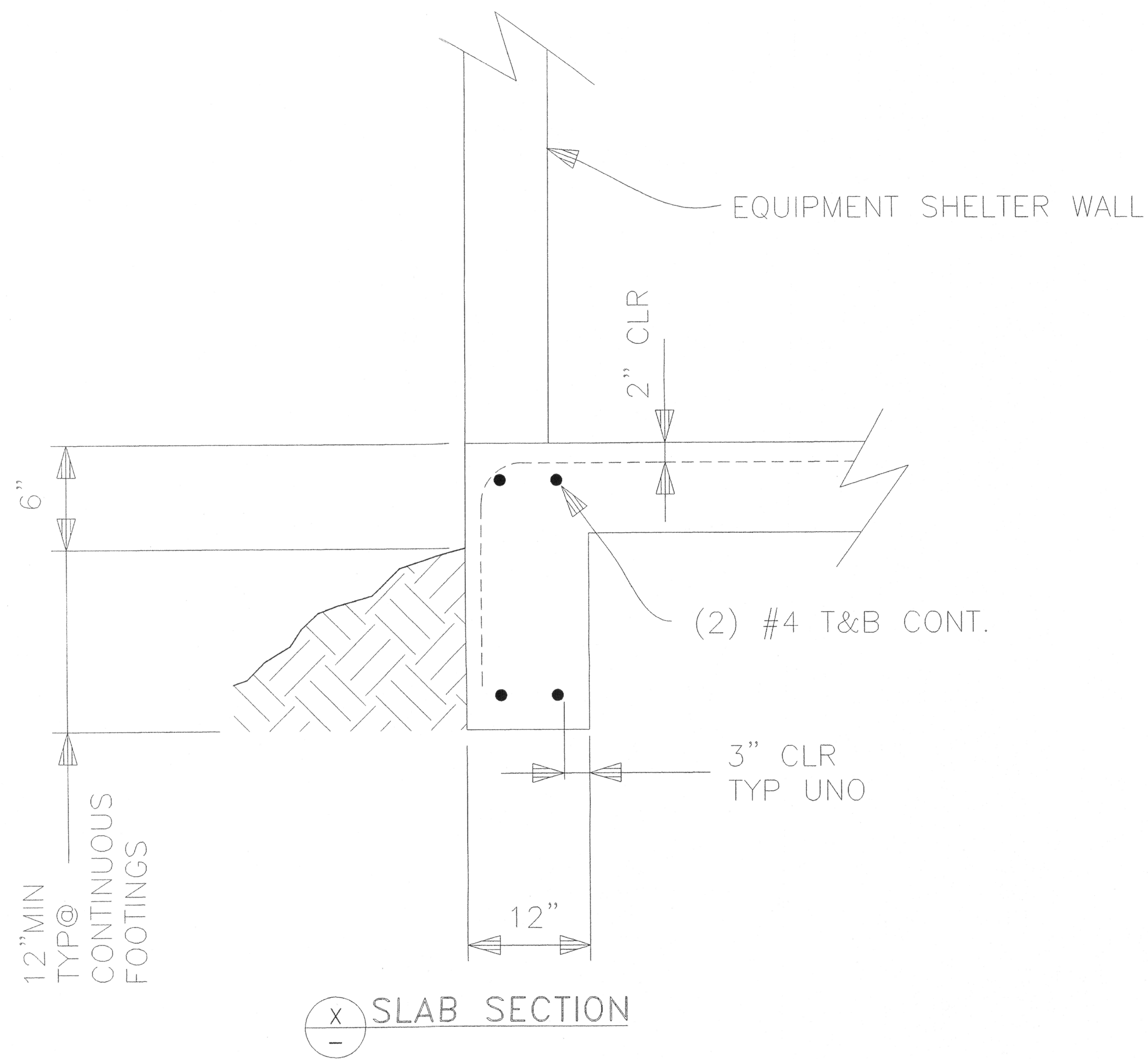


C:\Documents and Settings\Paul\Desktop\Acwork 2\2006\06085 see 06061 for info\Copy of 06085 S6b.dwg 10/24/06 10:54



NOTES:

1. FOUNDATION SHOWN IS FOR ONE EQUIPMENT SHELTER. TWO TOTAL EQUIPMENT SHELTERS ON SITE.
2. ASSUME BUILDING DIMENSIONS ARE 30'-0" x 10'-0". BUILDING WEIGHT IS APPROX 22,000 LBS.

FOR CONSTRUCTION

1 EQUIPMENT SHELTER SLAB

CONFIDENTIAL-PROPRIETARY INFORMATION
 THIS DRAWING IS THE PROPERTY OF TOWER STRUCTURES. USE BY OR DISCLOSURE TO ANYONE OTHER THAN ITS AUTHORIZED EMPLOYEES IS FORBIDDEN EXCEPT TO THE EXTENT PERMISSION IS ELSEWHERE GRANTED.
 COPYRIGHT © 2002 TOWER STRUCTURES.
 DRAWING SIZE: ARCH D (24 x 36)

FILE NAME	Copy of 06085 S6b.dwg
PLOT DATE & TIME	Sep 27, 2006 16:48

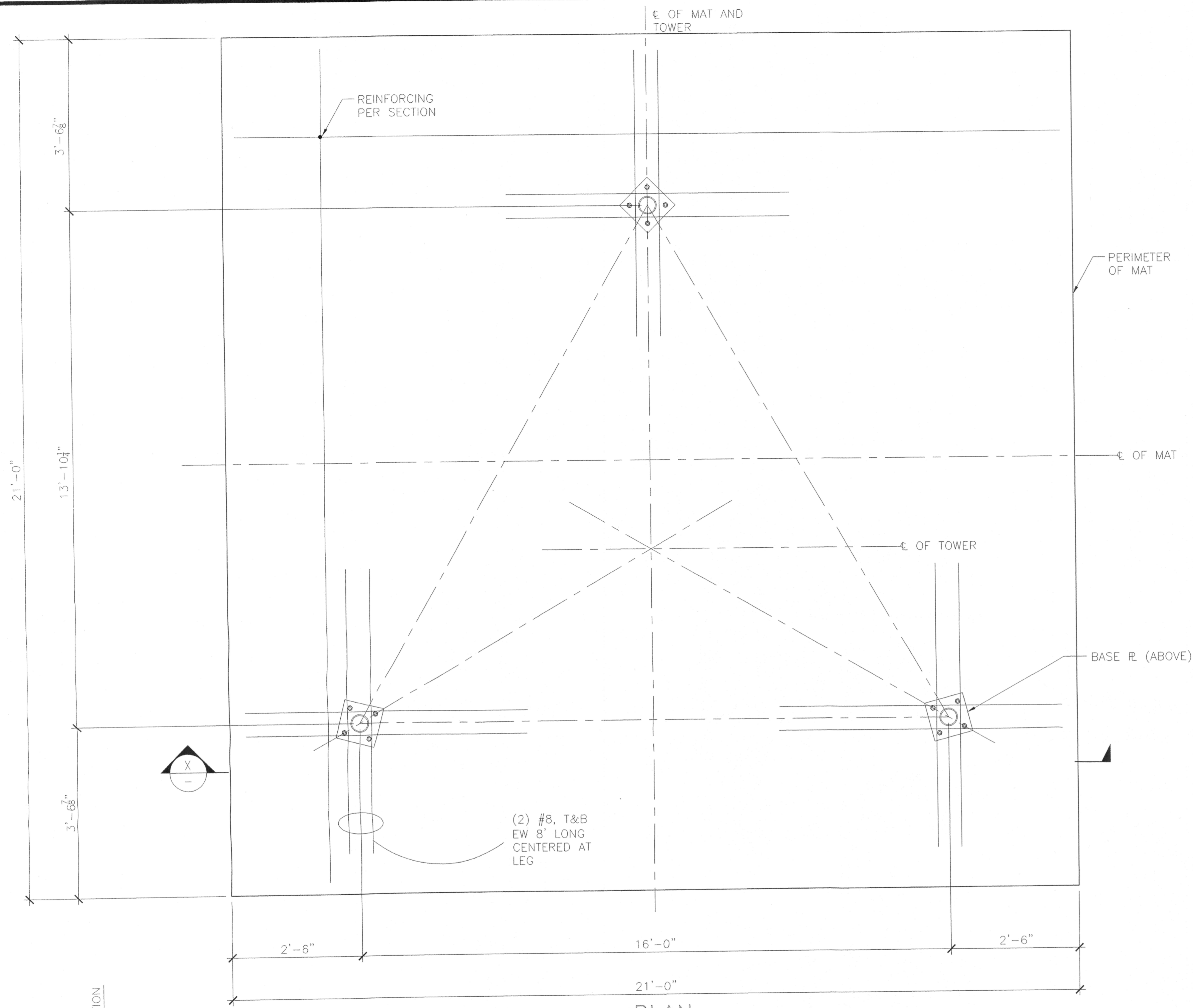
NO.	MADE BY	DATE	APPROVED	REMARKS

SCALE:	AS NOTED	DATE	
DRAWN BY:	RG	8/23/06	
CHECKED BY:	ETL	8/23/06	

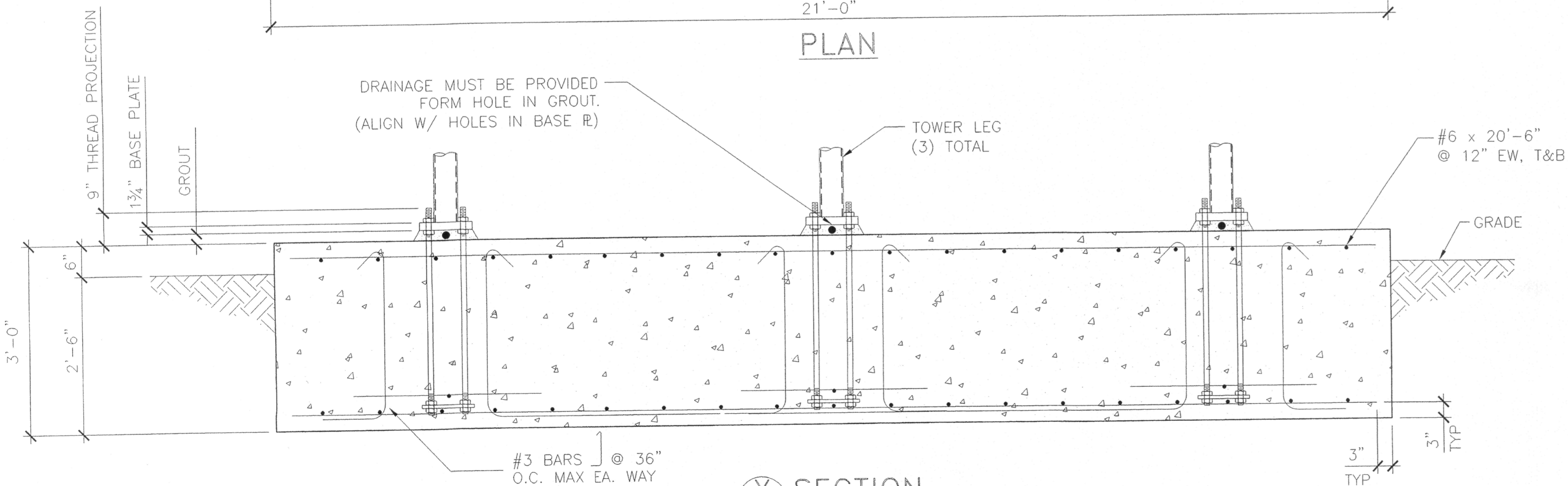
TOWER STRUCTURES
 2567 BUSINESS PARKWAY
 MINDEN, NEVADA 89423
 PHONE (775) 267-1308
 FAX (775) 267-1408

100' SELF SUPPORTING TOWER
AIR COMMUNICATIONS SERVICE INC.
JOHNSTONE PEAK; SAN DIMAS, CA

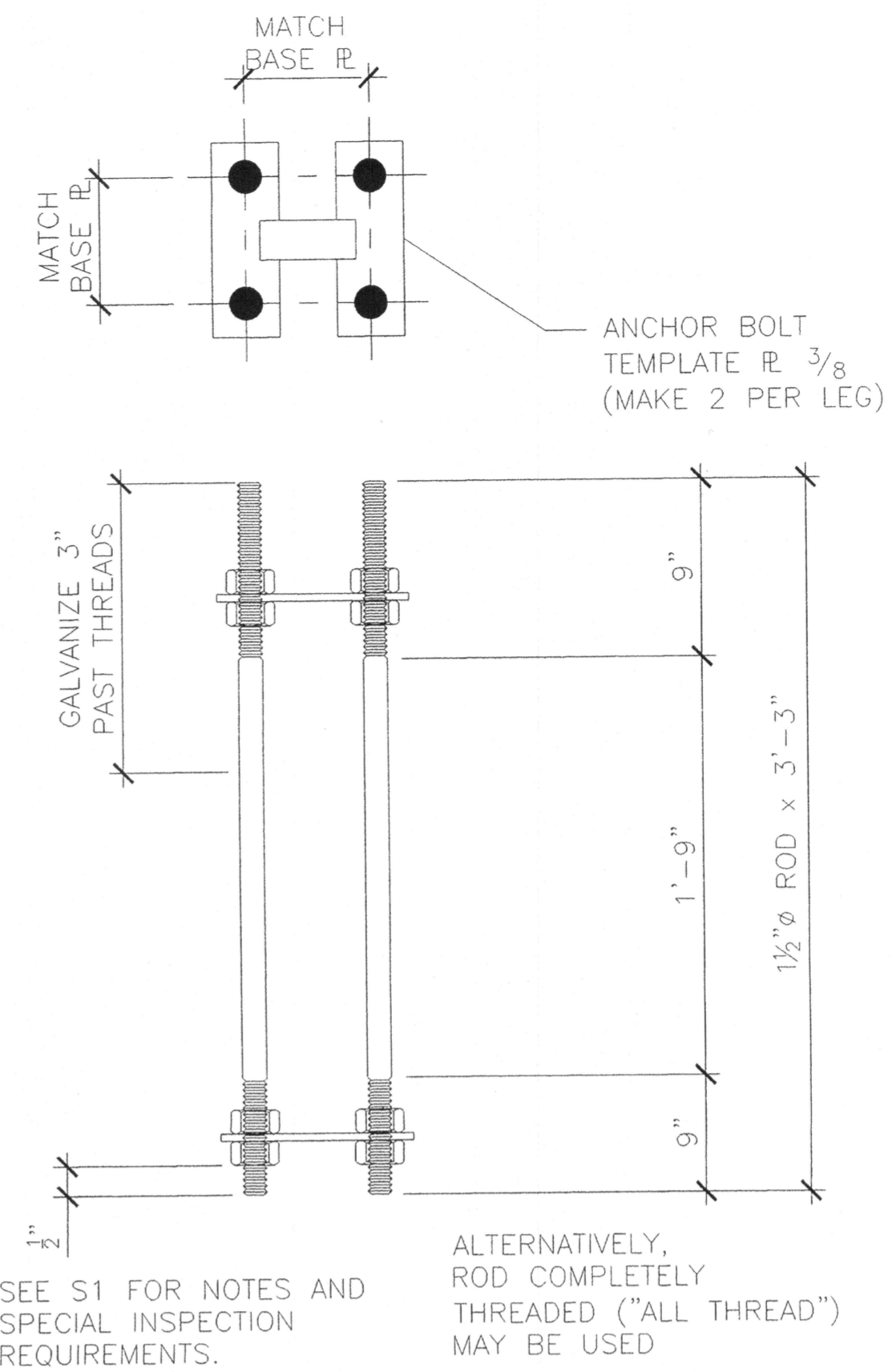
EQUIPMENT SHELTER SLAB	
TSJ JOB 06-085	SHEET NO: S6
REVISION 0	SHEET 6 OF 6



PLAN



SECTION

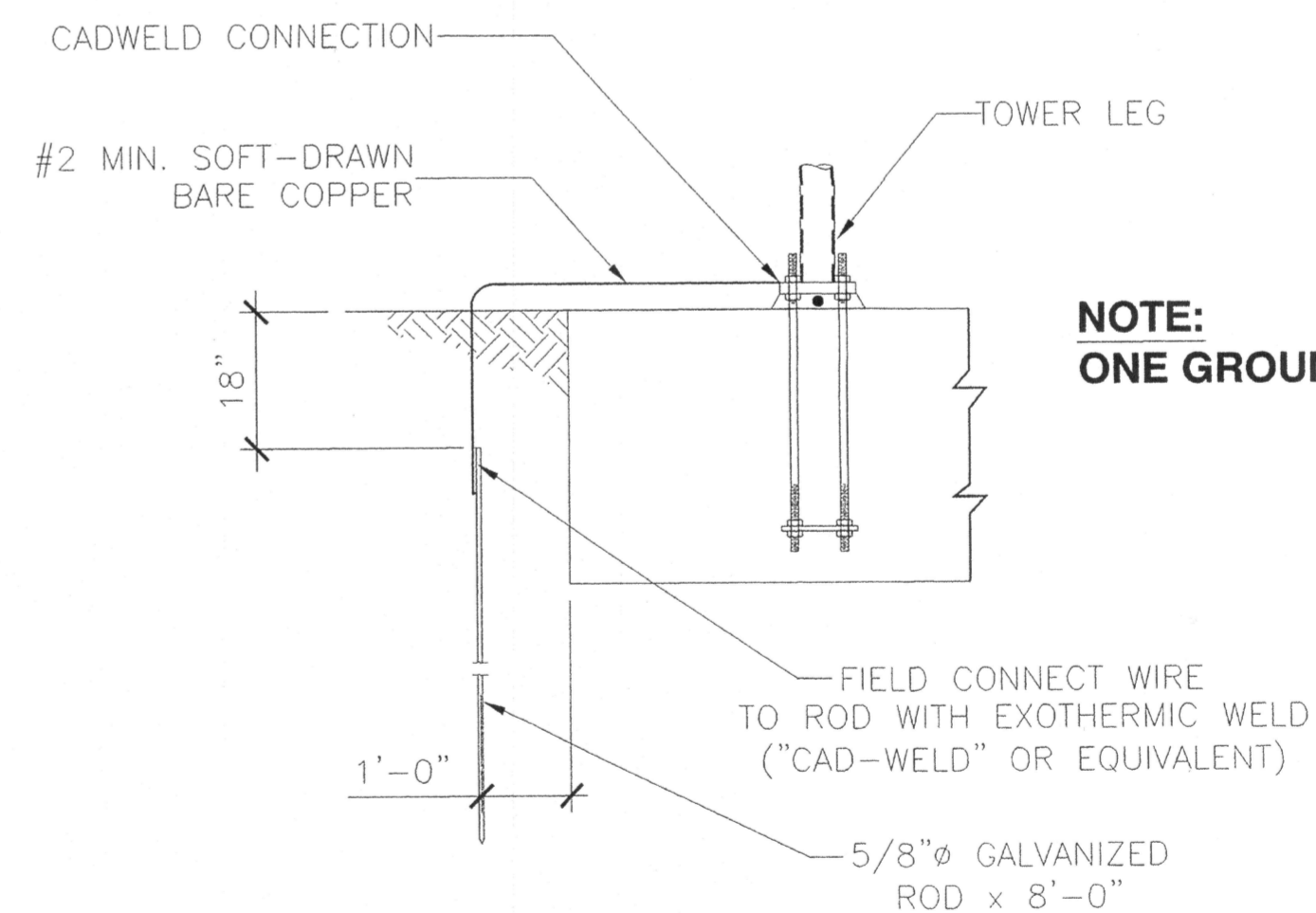
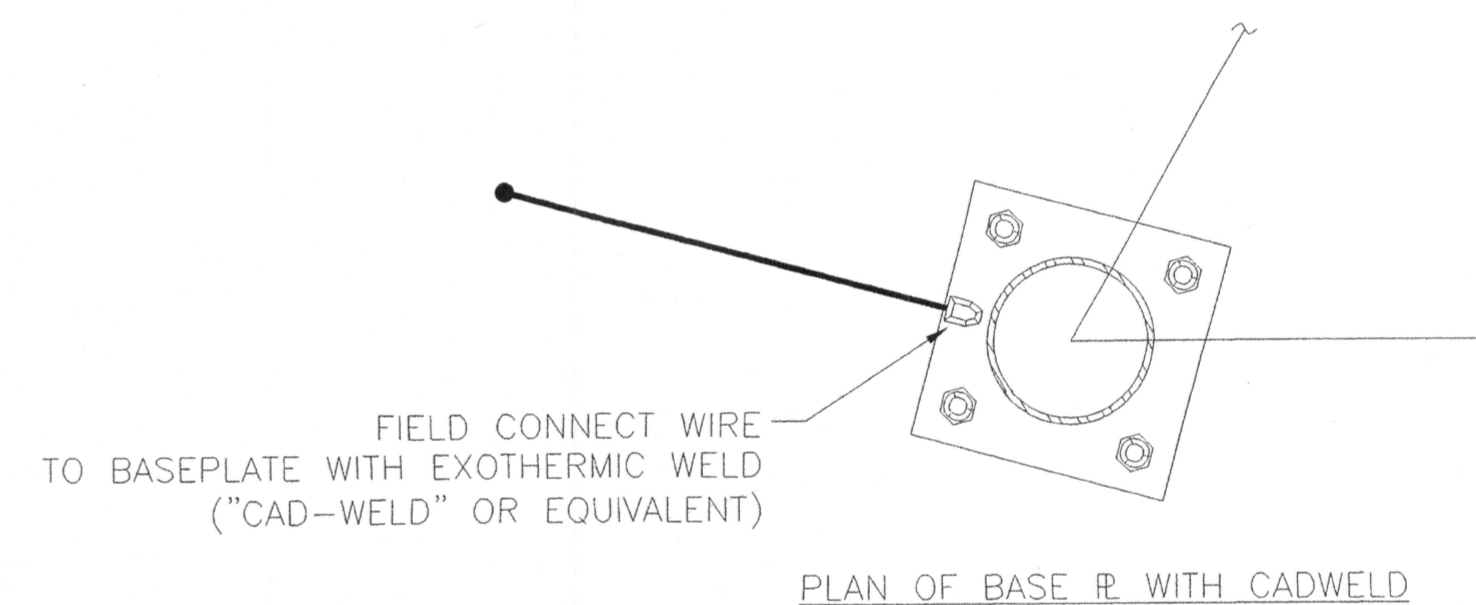


2 ANCHOR BOLT AND TEMPLATE

NOTES:

1. BASE R AND GROUT DETAILS PER 2/S2.
2. ANCHOR BOLT DETAILS PER 2/S2 AND 2/-
3. SPLICING OF REBAR NOT PERMITTED WITHOUT PRIOR APPROVAL FROM ENGINEER.
4. CAST CONCRETE AGAINST EARTH FORMS.

4 NOTES



3 SUGGESTED GROUNDING (SEE EIA REQUIREMENTS)

FOR CONSTRUCTION

1 FOUNDATION

CONFIDENTIAL-PROPRIETARY INFORMATION
 THIS DRAWING IS THE PROPERTY OF TOWER STRUCTURES. USE BY OR DISCLOSURE TO ANYONE OTHER THAN ITS AUTHORIZED EMPLOYEES IS FORBIDDEN EXCEPT TO THE EXTENT PERMISSION IS ELSEWHERE GRANTED.
 COPYRIGHT © 2004 TOWER STRUCTURES.
 DRAWING SIZE: ARCH D (24 x 36)

FILE NAME
 Copy of 06085 S5.dwg
 PLOT DATE & TIME
 Sep 28,2006 8:36

NO.	MADE BY	DATE	APPROVED	REMARKS

SCALE:	SCALE	DATE
DRAWN BY:	RG	7/13/06
CHECKED BY:	ETL	8/27/06

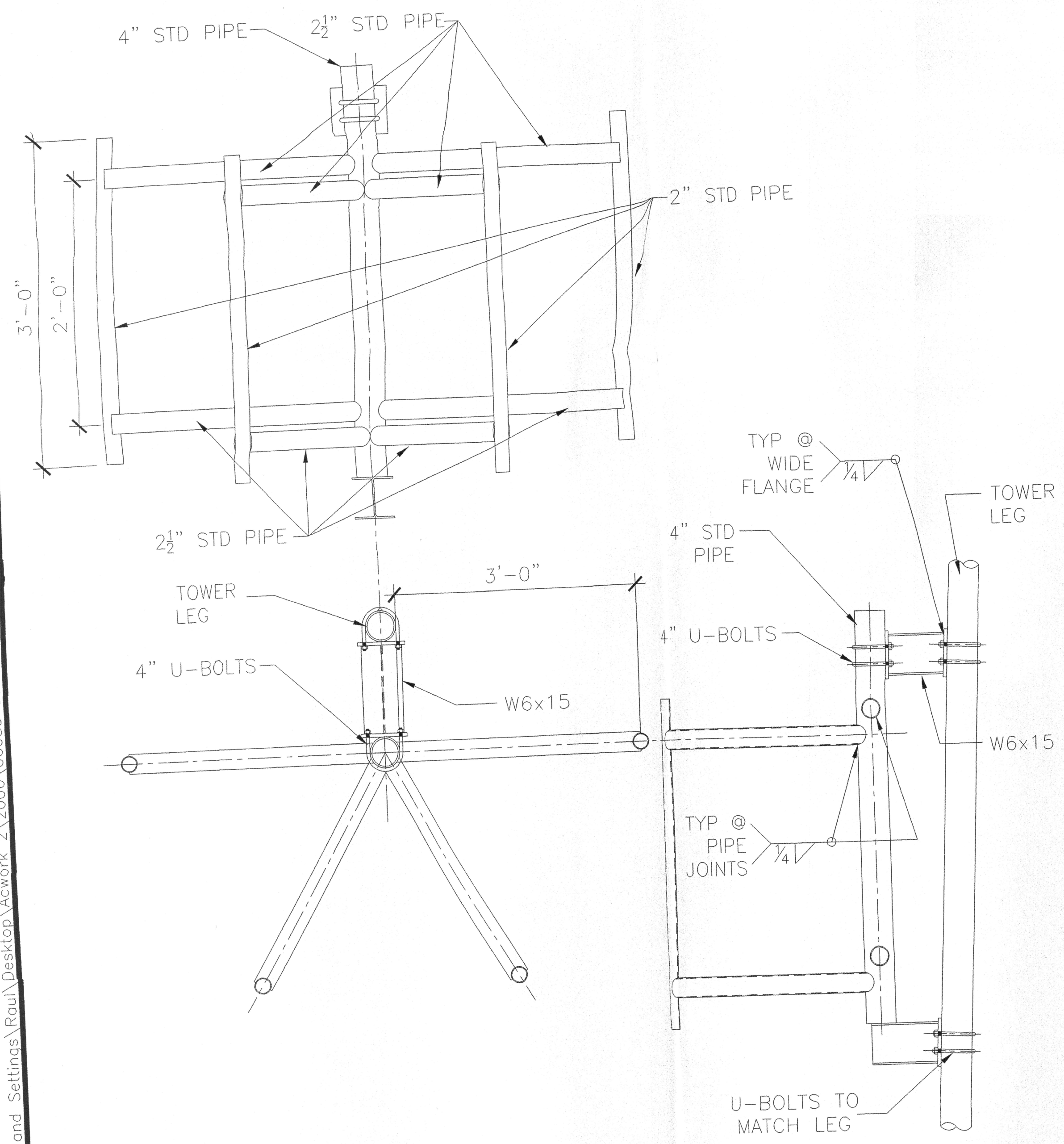
TOWER STRUCTURES
 2567 BUSINESS PARKWAY
 MINDEN, NEVADA 89423
 PHONE (775) 267-1308
 FAX (775) 267-1408

100' SELF SUPPORTING TOWER
AIR COMMUNICATIONS SERVICE INC.
JOHNSTONE PEAK; SAN DIMAS, CA

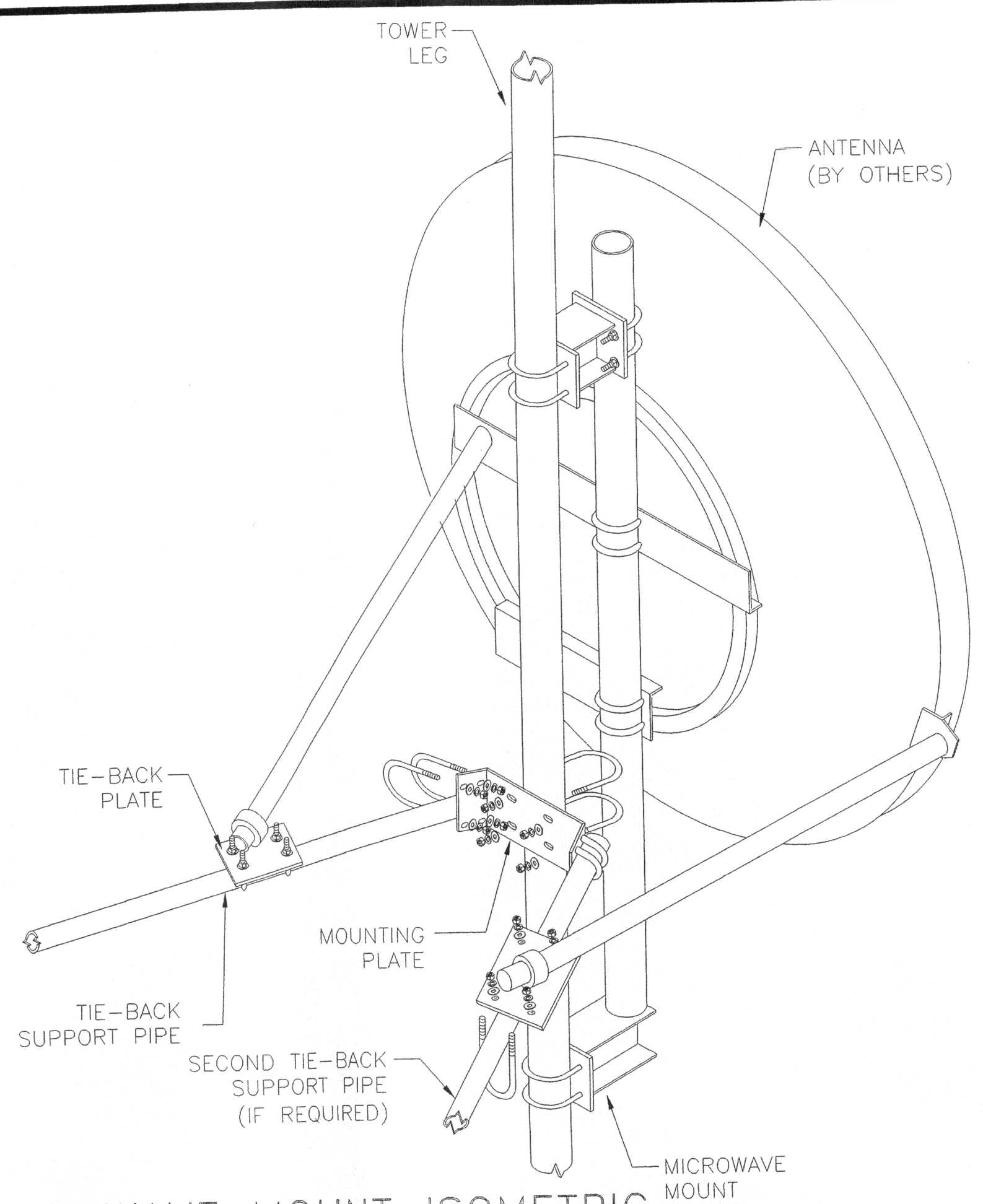
FOUNDATION PLAN AND DETAILS
 TSI JOB
06-085
 REVISION
0
 SHEET NO:
S5
 SHEET 5 OF 6

6 NOT USED

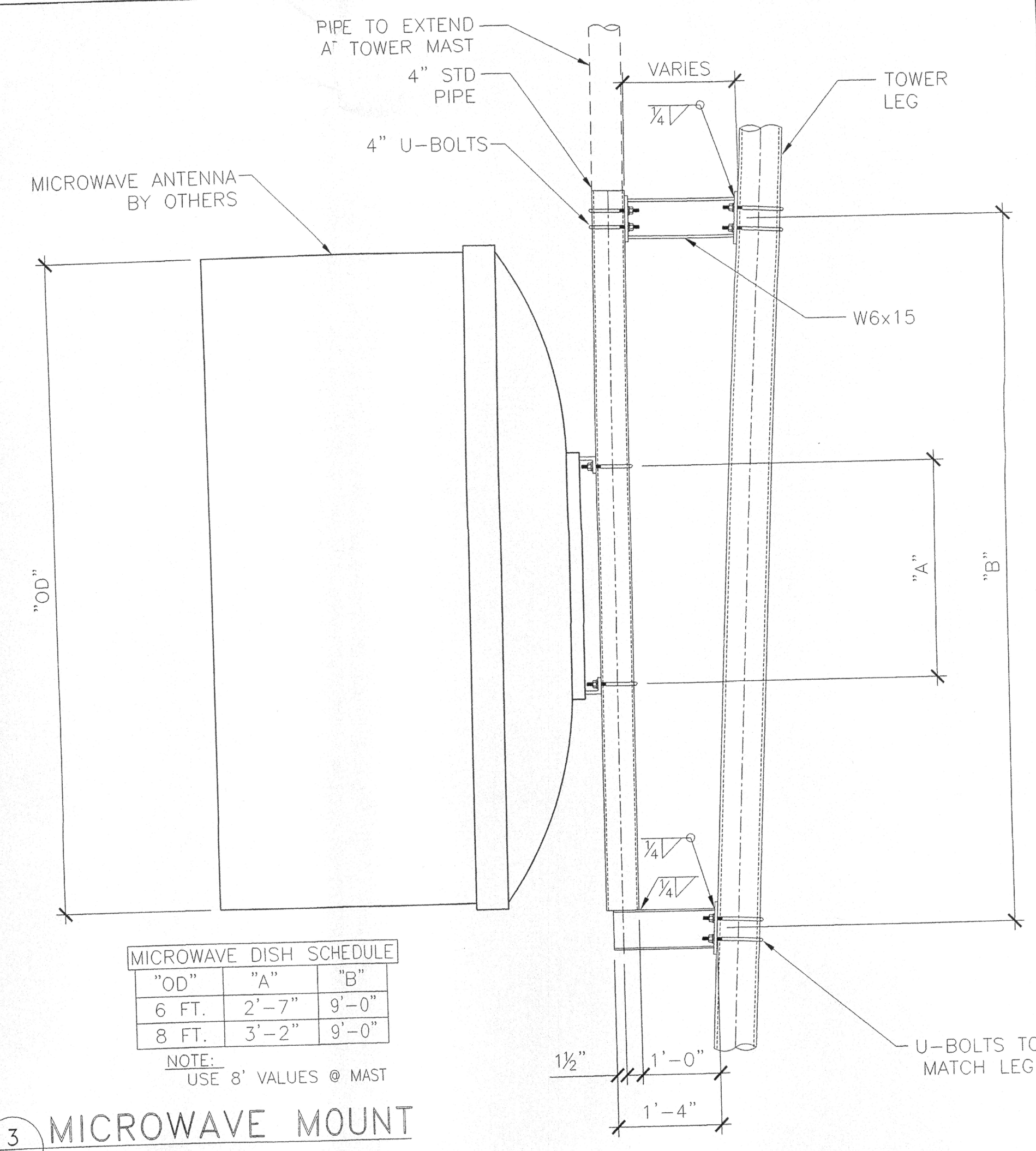
5 NOT USED



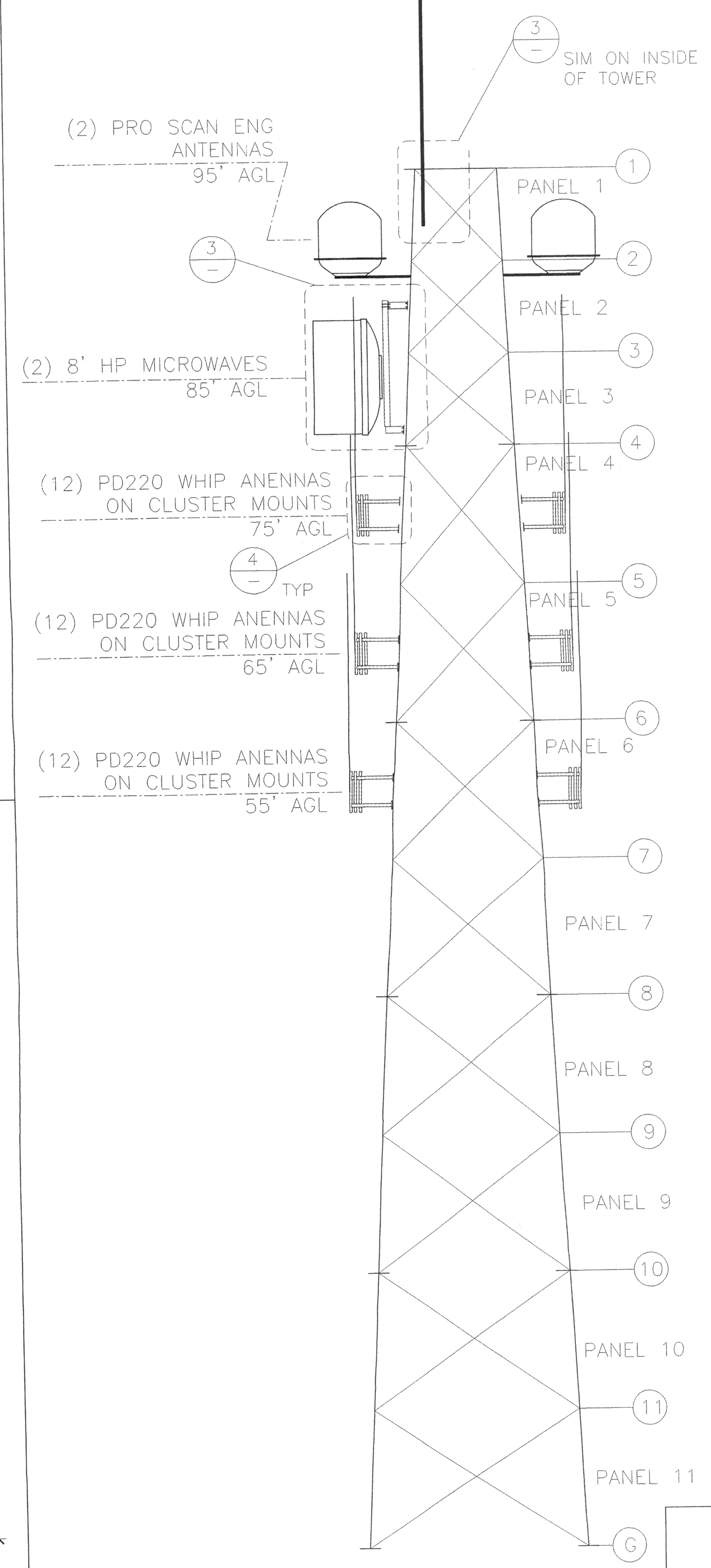
4 CLUSTER LEG MOUNTS



2 MICROWAVE MOUNT ISOMETRIC



3 MICROWAVE MOUNT



1 ELEVATION

FOR CONSTRUCTION

CONFIDENTIAL-PROPRIETARY INFORMATION
THIS DRAWING IS THE PROPERTY OF TOWER STRUCTURES. USE BY OR DISCLOSURE TO ANYONE OTHER THAN ITS AUTHORIZED EMPLOYEES IS FORBIDDEN EXCEPT TO THE EXTENT PERMISSION IS ELSEWHERE GRANTED.
COPYRIGHT © 2003 TOWER STRUCTURES
DRAWING SIZE: ARCH D (24 x 36)

FILE NAME
Copy of 06085 S4.dwg
PLOT DATE & TIME
Sep 28, 2006 10:28

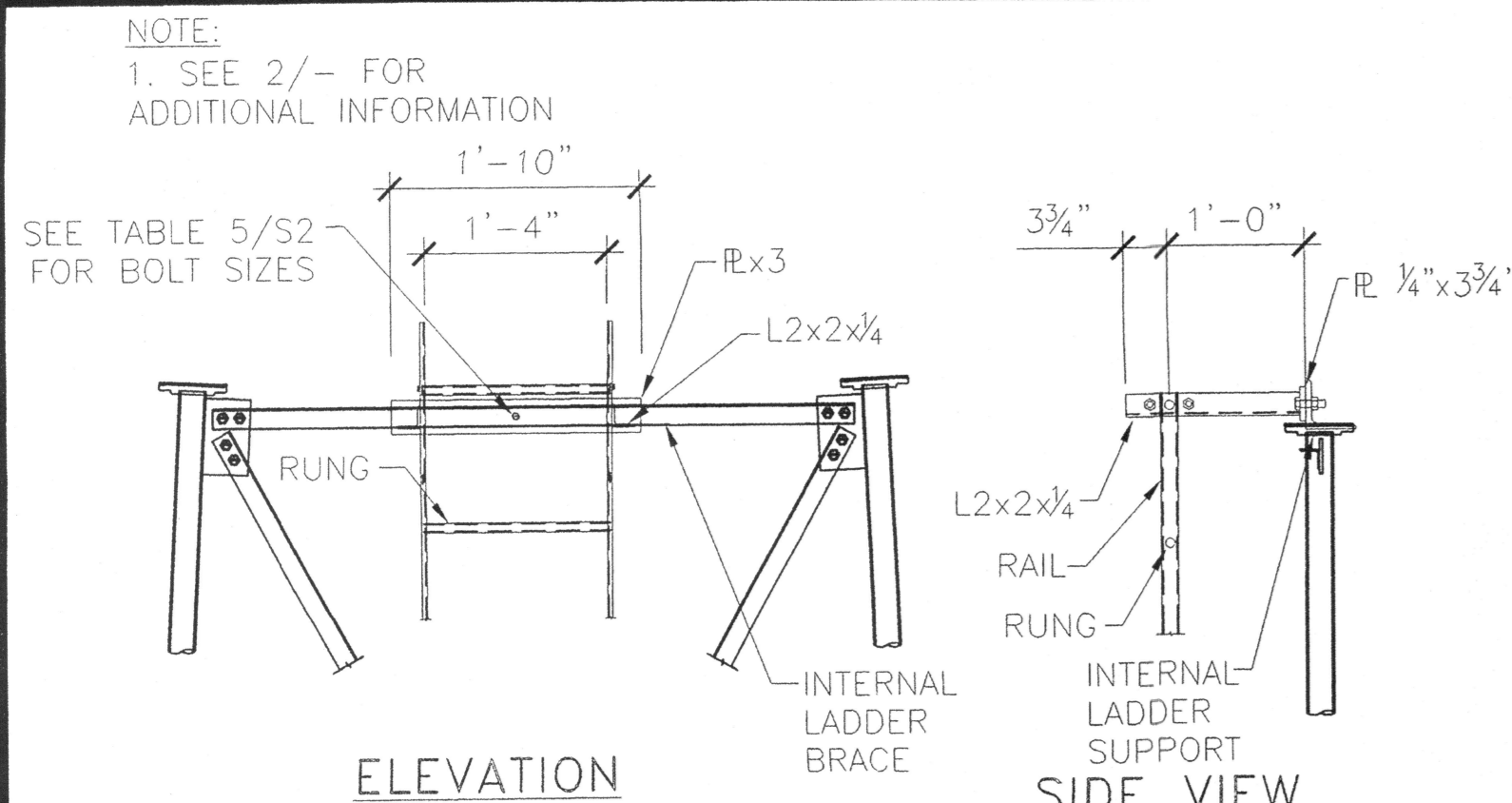
NO.	MADE BY	DATE	APPROVED	REMARKS

SCALE: AS NOTED DATE
DRAWN BY: RG 7/13/06
CHECKED BY: ETL 8/27/06

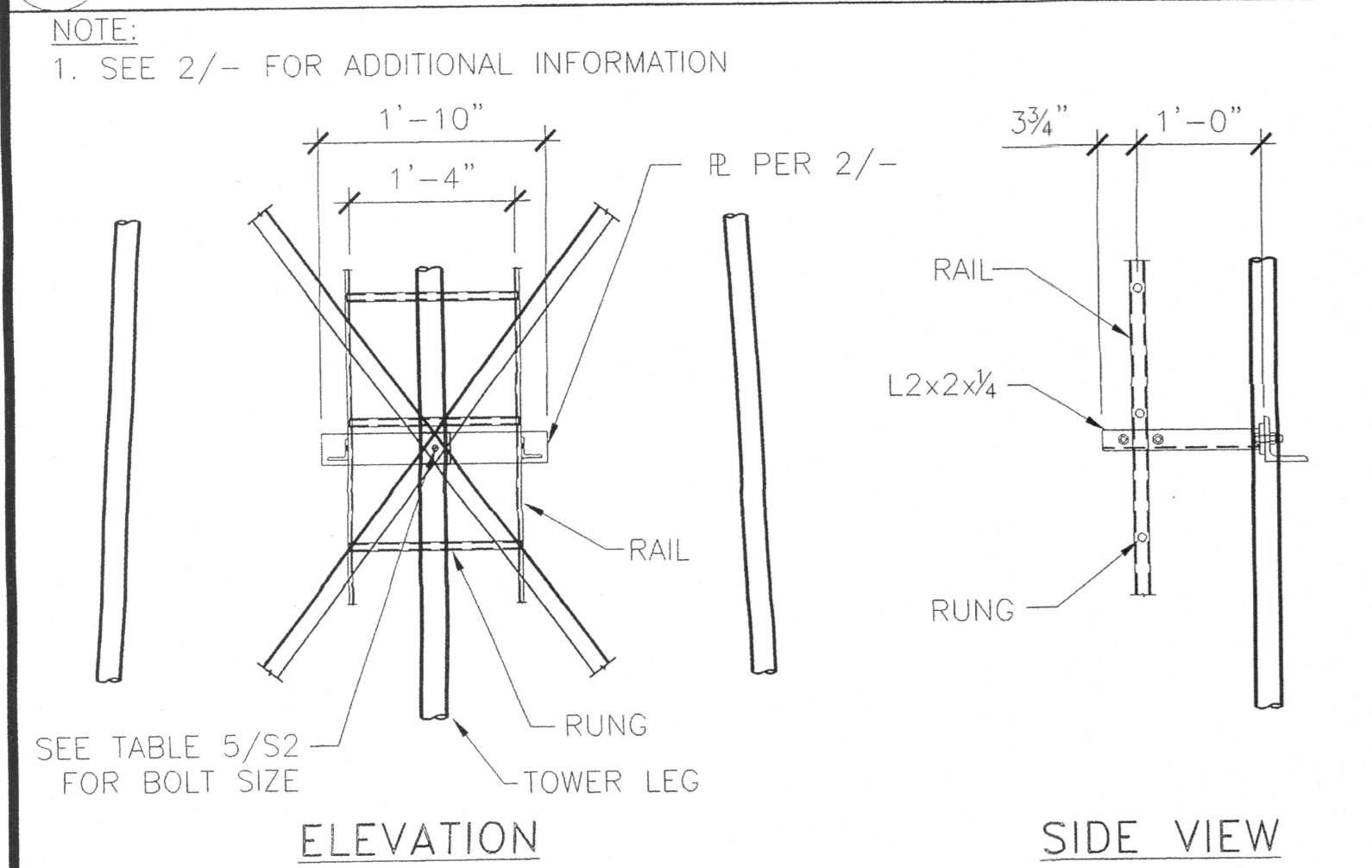
TOWER STRUCTURES
2567 BUSINESS PARKWAY
MINDEN, NEVADA 89423
PHONE (775) 267-1308
FAX (775) 267-1408

100' SELF-SUPPORTING TOWER
AIR COMMUNICATION SERVICE INC.
JOHNSTONE PEAK; SAN DIMAS, CA

ANTENNA LOCATIONS & MOUNT DETAILS
TSI JOB: 06-085
REVISION: 0
SHEET NO.: S4
SHEET 4 OF 6

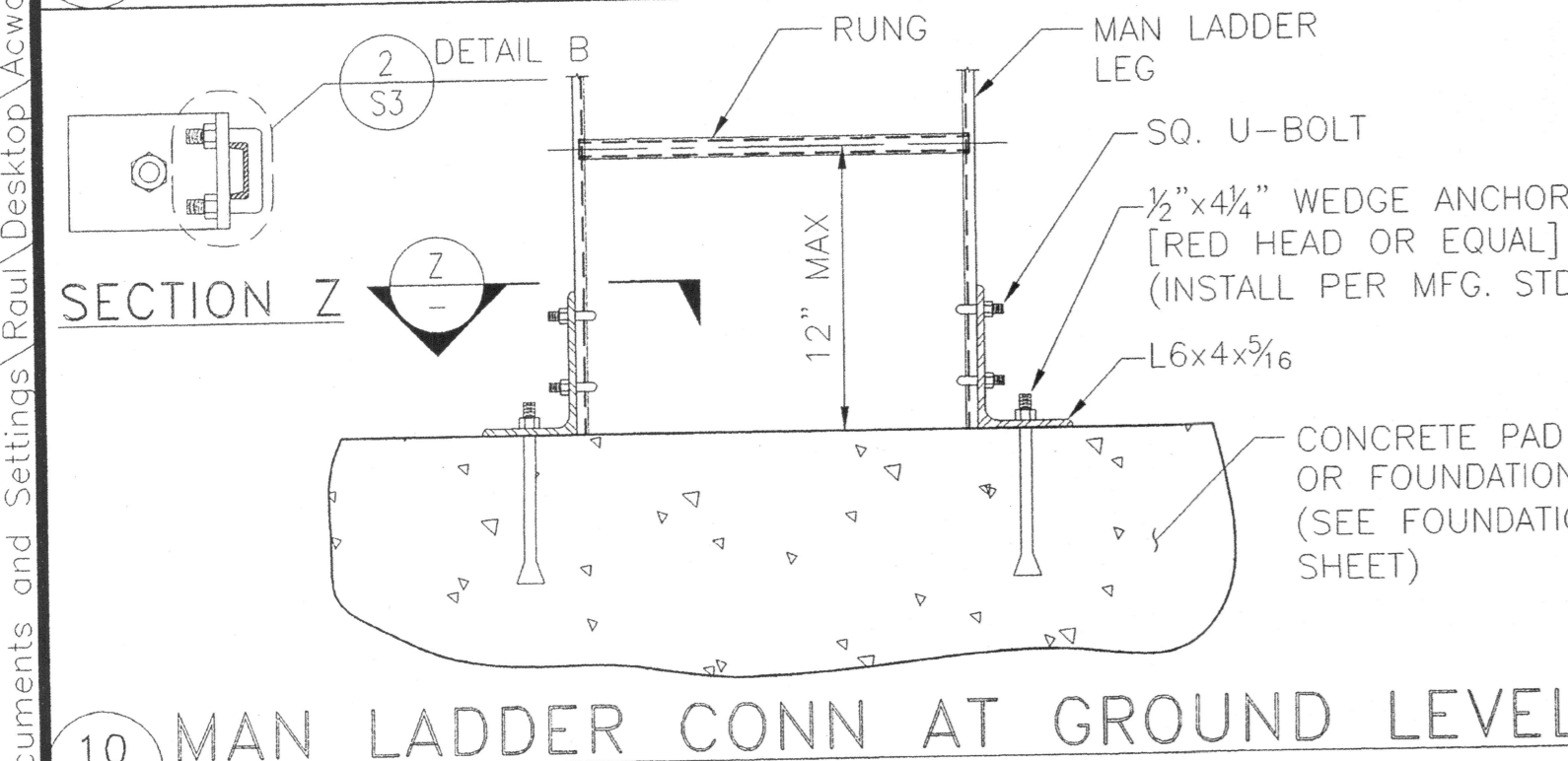


7 MAN LADDER MOUNT AT TOP PANEL

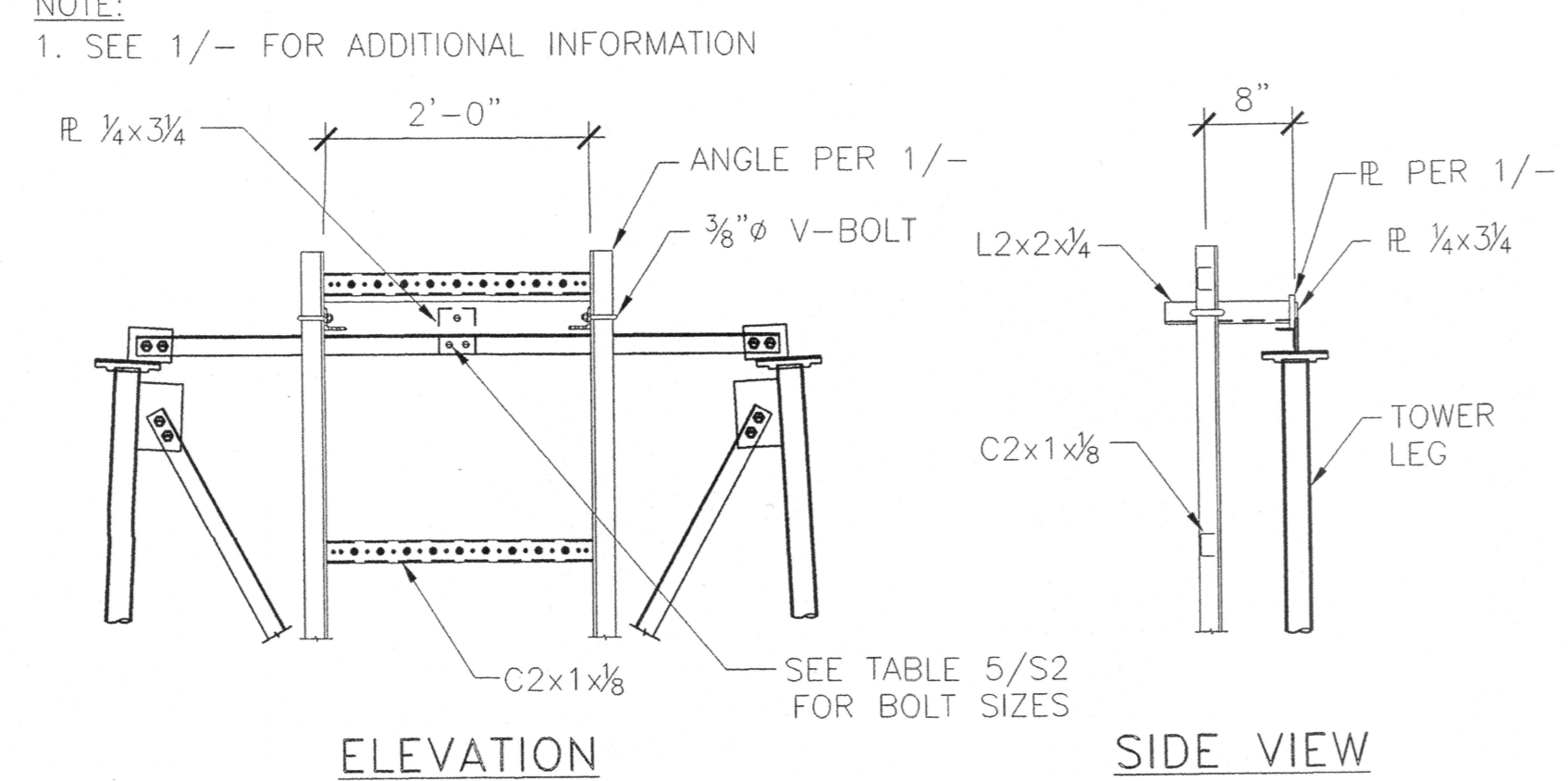


8 TYPICAL MAN LADDER MOUNT

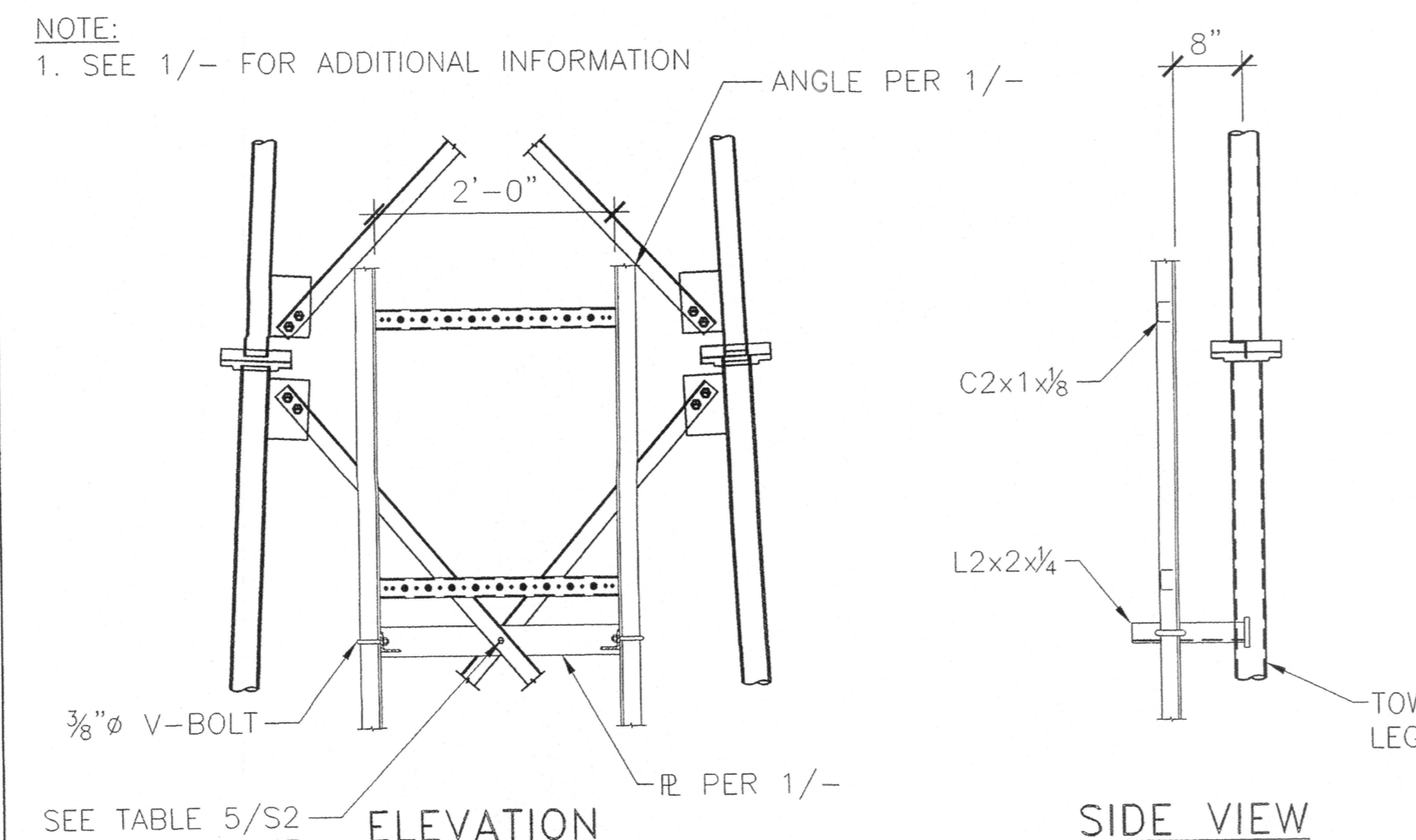
9 NOT USED



10 MAN LADDER CONN AT GROUND LEVEL

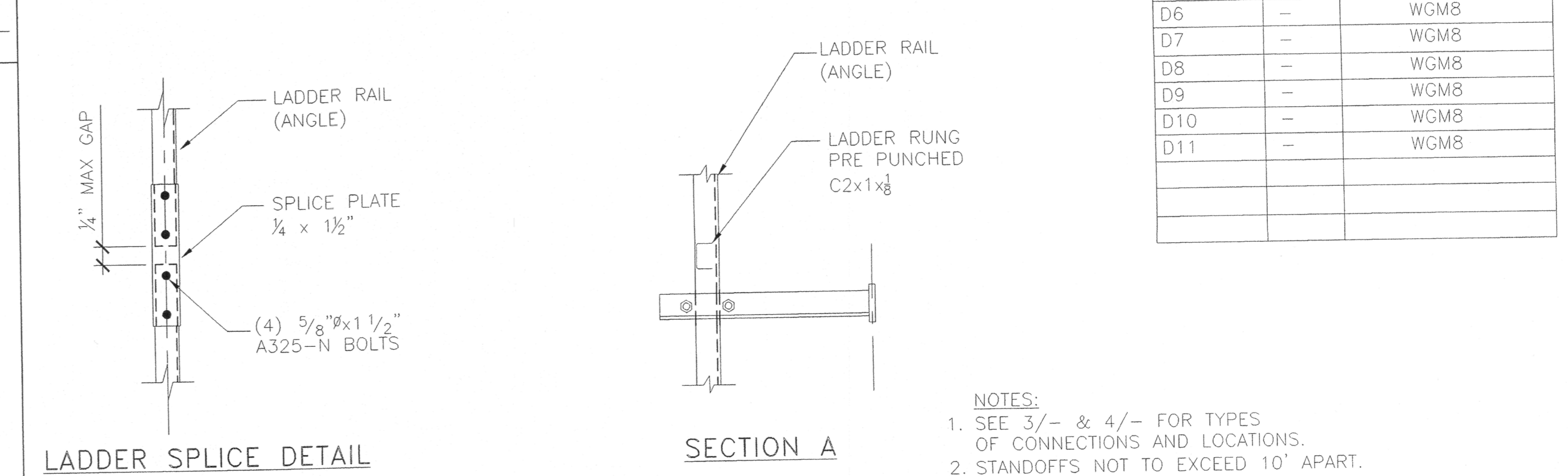
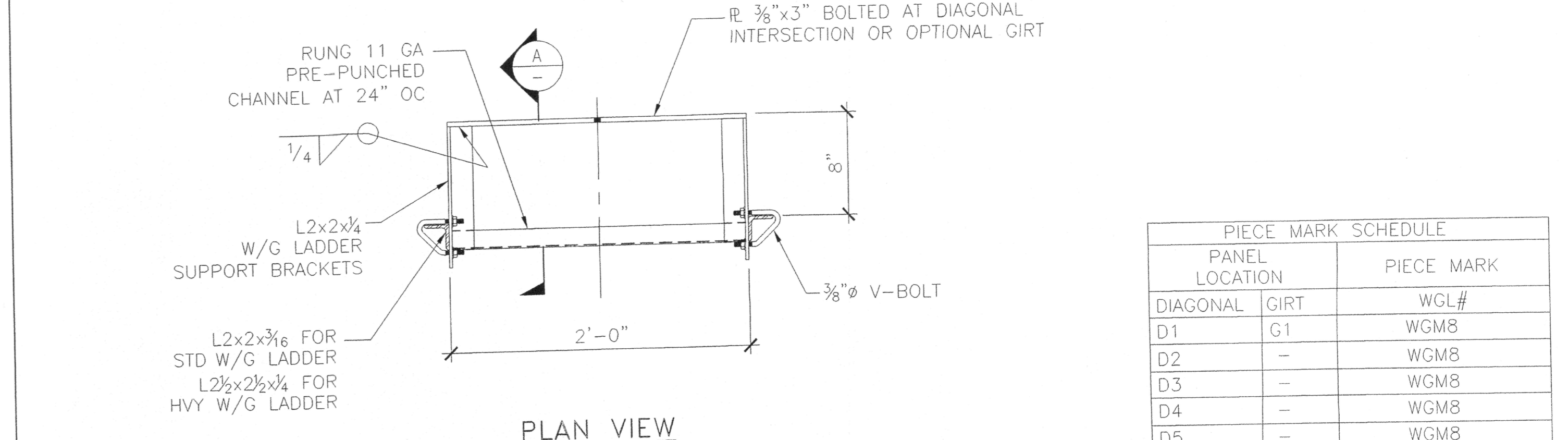


3 WAVEGUIDE LADDER MOUNT AT TOP PANEL

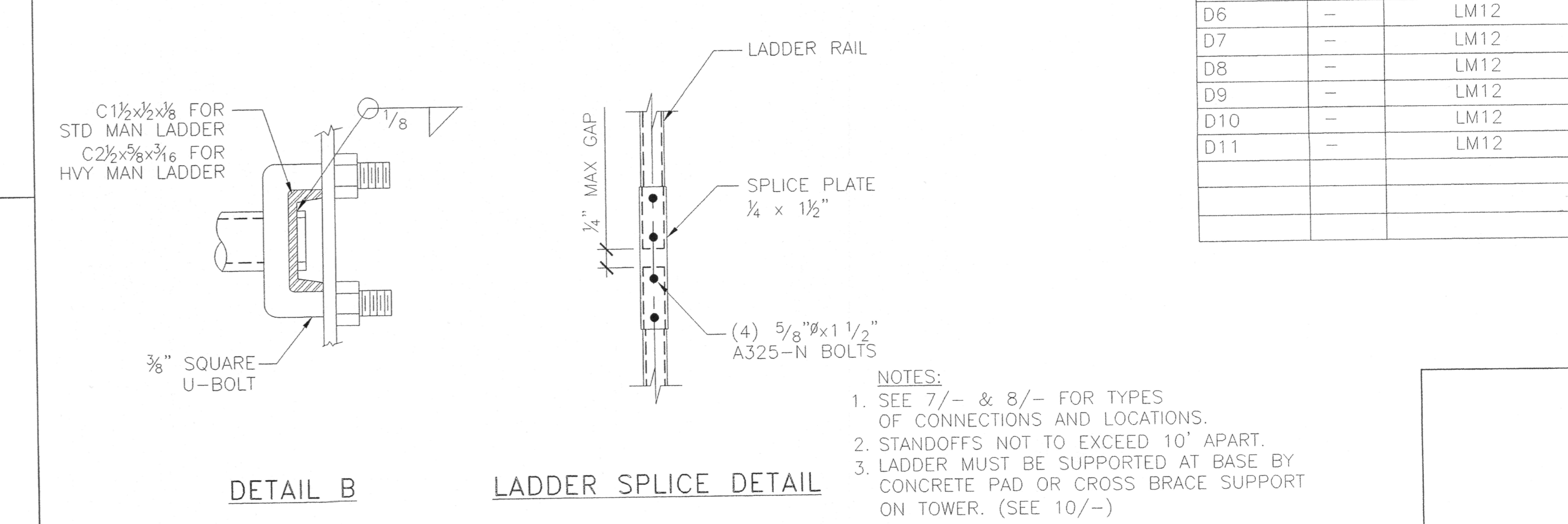
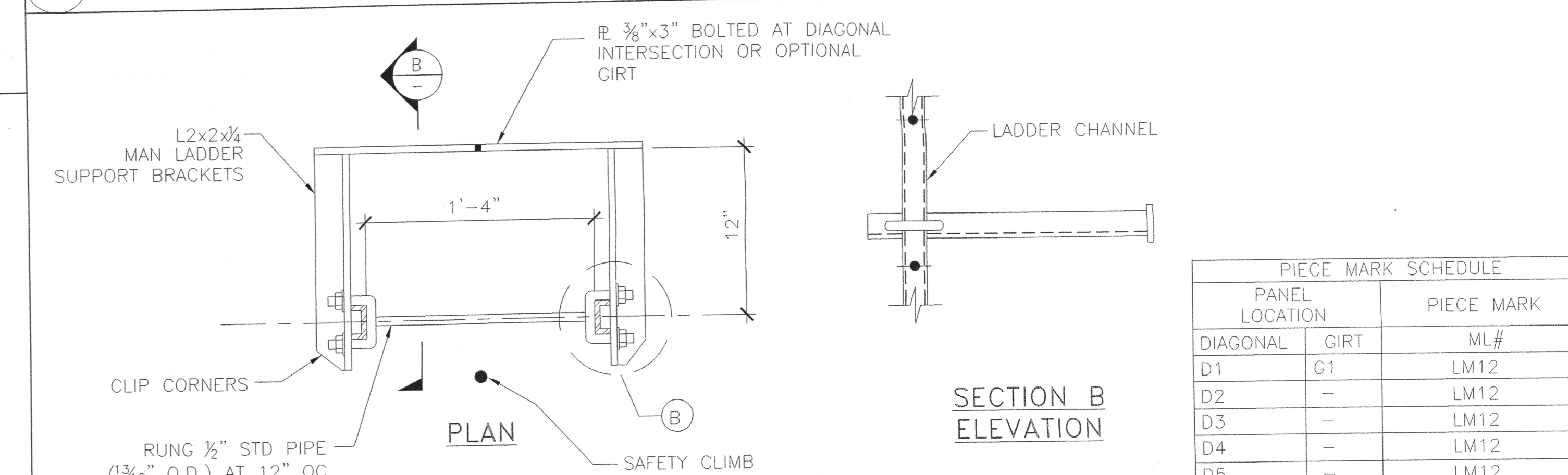


4 TYPICAL WAVEGUIDE LADDER MOUNT

6 NOT USED



1 WAVEGUIDE LADDER & MOUNTING



2 MAN LADDER & MOUNTING

PIECE MARK SCHEDULE		
PANEL LOCATION	PIECE MARK	
DIAGONAL	GIRT	WGL#
D1	G1	WGM8
D2	-	WGM8
D3	-	WGM8
D4	-	WGM8
D5	-	WGM8
D6	-	WGM8
D7	-	WGM8
D8	-	WGM8
D9	-	WGM8
D10	-	WGM8
D11	-	WGM8

PIECE MARK SCHEDULE		
PANEL LOCATION	PIECE MARK	
DIAGONAL	GIRT	ML#
D1	G1	LM12
D2	-	LM12
D3	-	LM12
D4	-	LM12
D5	-	LM12
D6	-	LM12
D7	-	LM12
D8	-	LM12
D9	-	LM12
D10	-	LM12
D11	-	LM12

- NOTES:
1. SEE 7/- & 8/- FOR TYPES OF CONNECTIONS AND LOCATIONS.
2. STANDOFFS NOT TO EXCEED 10' APART.
3. LADDER MUST BE SUPPORTED AT BASE BY CONCRETE PAD OR CROSS BRACE SUPPORT ON TOWER. (SEE 10/-)

FOR CONSTRUCTION

CONFIDENTIAL-PROPRIETARY INFORMATION
THIS DRAWING IS THE PROPERTY OF TOWER STRUCTURES, INC. USE BY OR DISCLOSURE TO ANYONE OTHER THAN ITS AUTHORIZED EMPLOYEES IS FORBIDDEN EXCEPT TO THE EXTENT PERMITTED BY OTHERWISE GRANTED. COPYRIGHT © 2004 TOWER STRUCTURES. DRAWING SIZE: ARCH D (24 x 36)

FILE NAME
Copy of 06085 S3.dwg
PLOT DATE & TIME
Sep 28, 2006 8:50

NO.	MADE BY	DATE	APPROVED	REMARKS

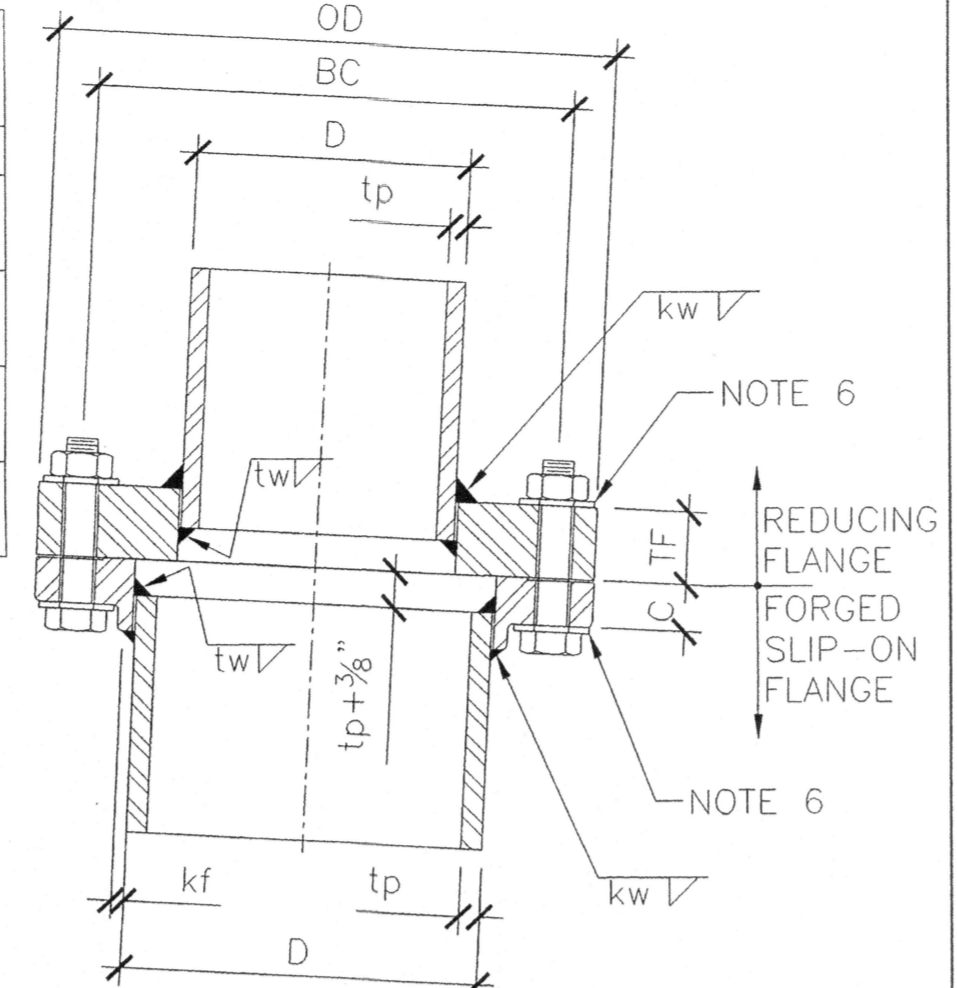
SCALE: SCALE DATE
DRAWN BY: RG 7/13/06
CHECKED BY: ETL 8/27/06

TOWER STRUCTURES
2567 BUSINESS PARKWAY
MINDEN, NEVADA 89423
PHONE (775) 267-1308
FAX (775) 267-1408

100' SELF-SUPPORTING TOWER
AIR COMMUNICATION SERVICE INC.
JOHNSTONE PEAK; SAN DIMAS, CA

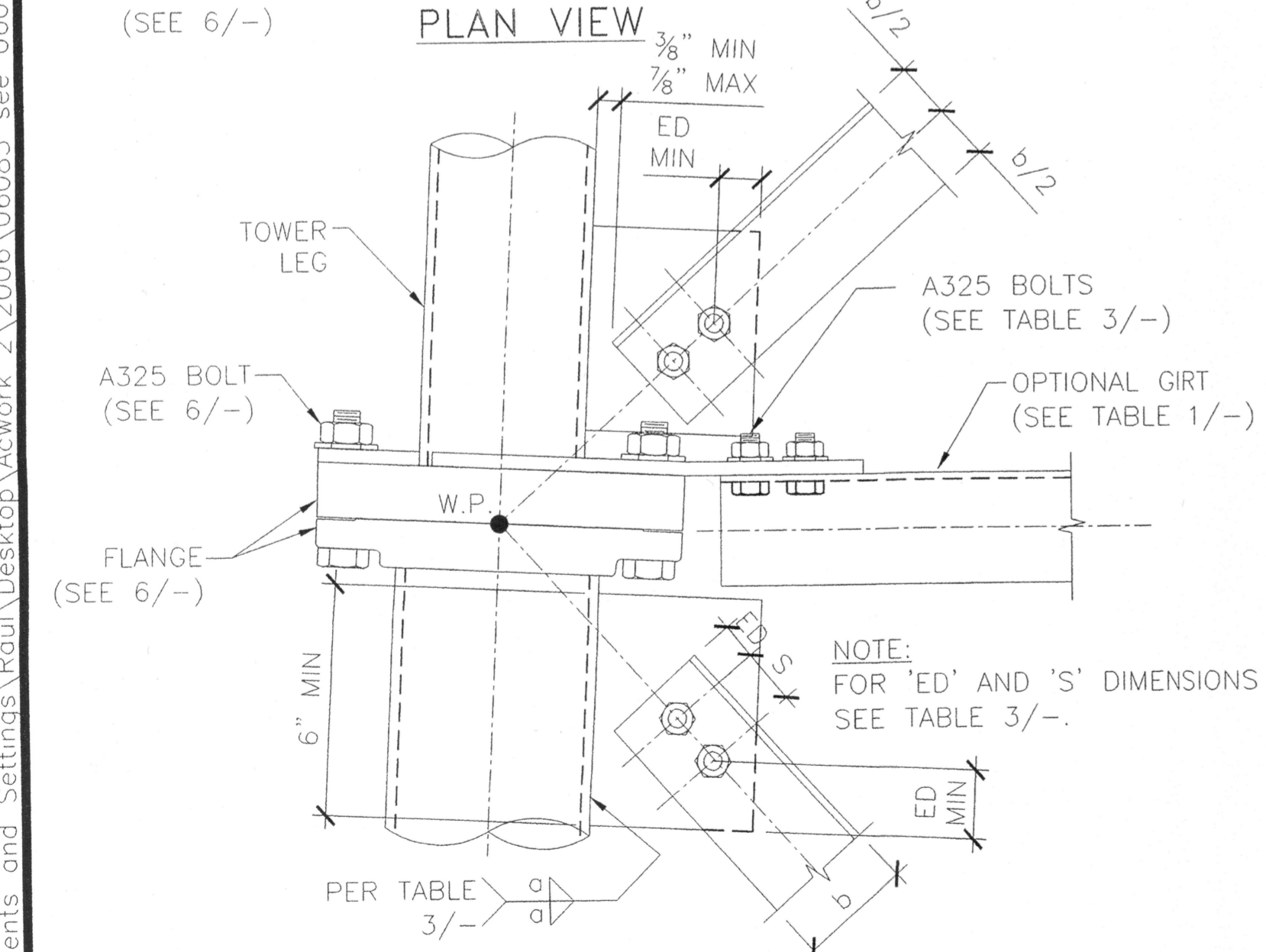
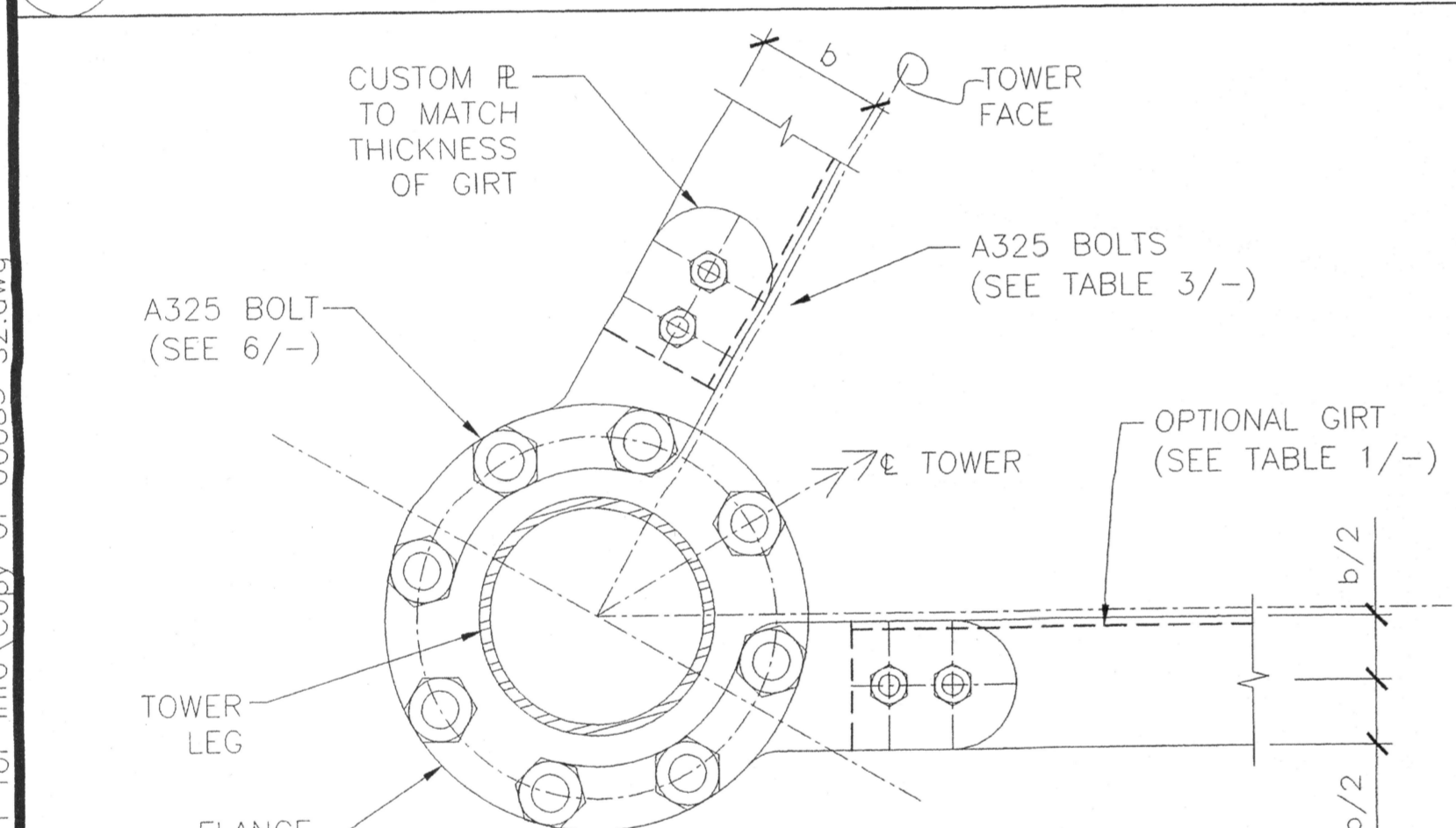
LADDER MOUNTING DETAILS
TSI JOB
06-085
REVISION
0
SHEET NO:
S3
SHEET 3 OF 6

PANEL	PIPE	FLANGE TYPE	D	tp	tw	Y2	C	TF	kf	kw	APPROX WT	OD	A325 BOLTS	BC
1	3" STD	150# STD	3.50	0.216	3/16	1 3/16	1 5/16	-	0.34	1/4	8	7 1/2	(4) 5/8" x 3 1/2"	6
3-4	3" STD	150# RED	3.50	0.216	3/16	-	-	1 1/4	-	1/4	-	9	(8) 5/8" x 3 3/4"	7 1/2
	4" STD	150# STD	4.50	0.237	3/16	1 5/16	1 5/16	-	0.37	1/4	13	9	(8) 5/8" x 3 1/2"	7 1/2
5-6	4" STD	150# STD	4.50	0.237	3/16	1 5/16	1 5/16	-	0.37	1/4	13	9	(8) 5/8" x 3 1/2"	7 1/2
	4" STD	150# RED	4.50	0.237	3/16	-	-	1 1/2	-	1/4	-	10	(8) 3/4" x 4"	8 1/2
7-8	5" STD	150# STD	5.563	0.258	1/4	1 7/16	1 5/16	-	0.39	5/16	15	11	(8) 3/4" x 4"	8 1/2
	5" STD	150# RED	5.563	0.258	1/4	-	-	1 1/2	-	5/16	-	11	(8) 3/4" x 4"	9 1/2
9-10	6" STD	150# STD	6.625	0.280	1/4	1 9/16	1	-	0.42	5/16	19			

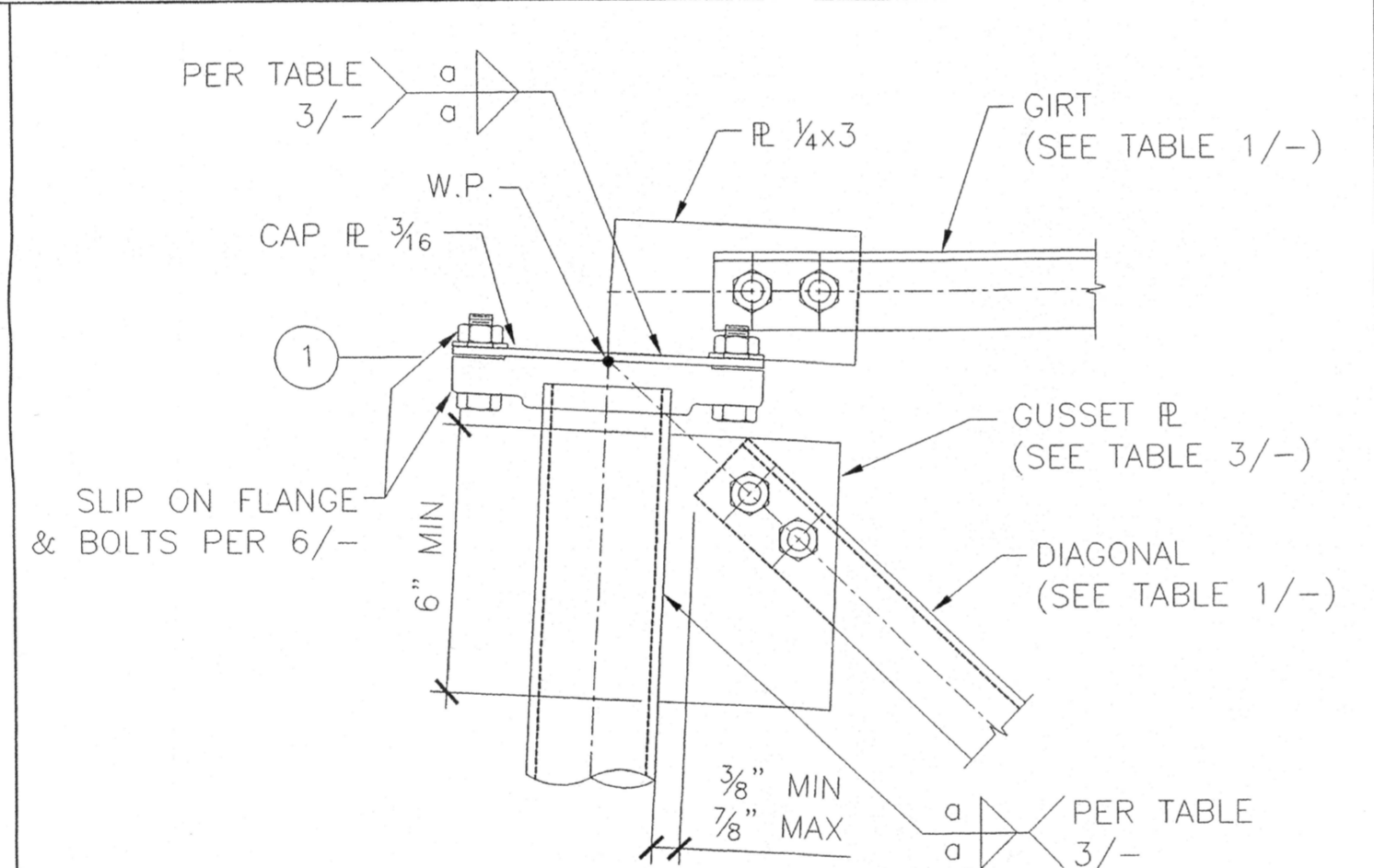
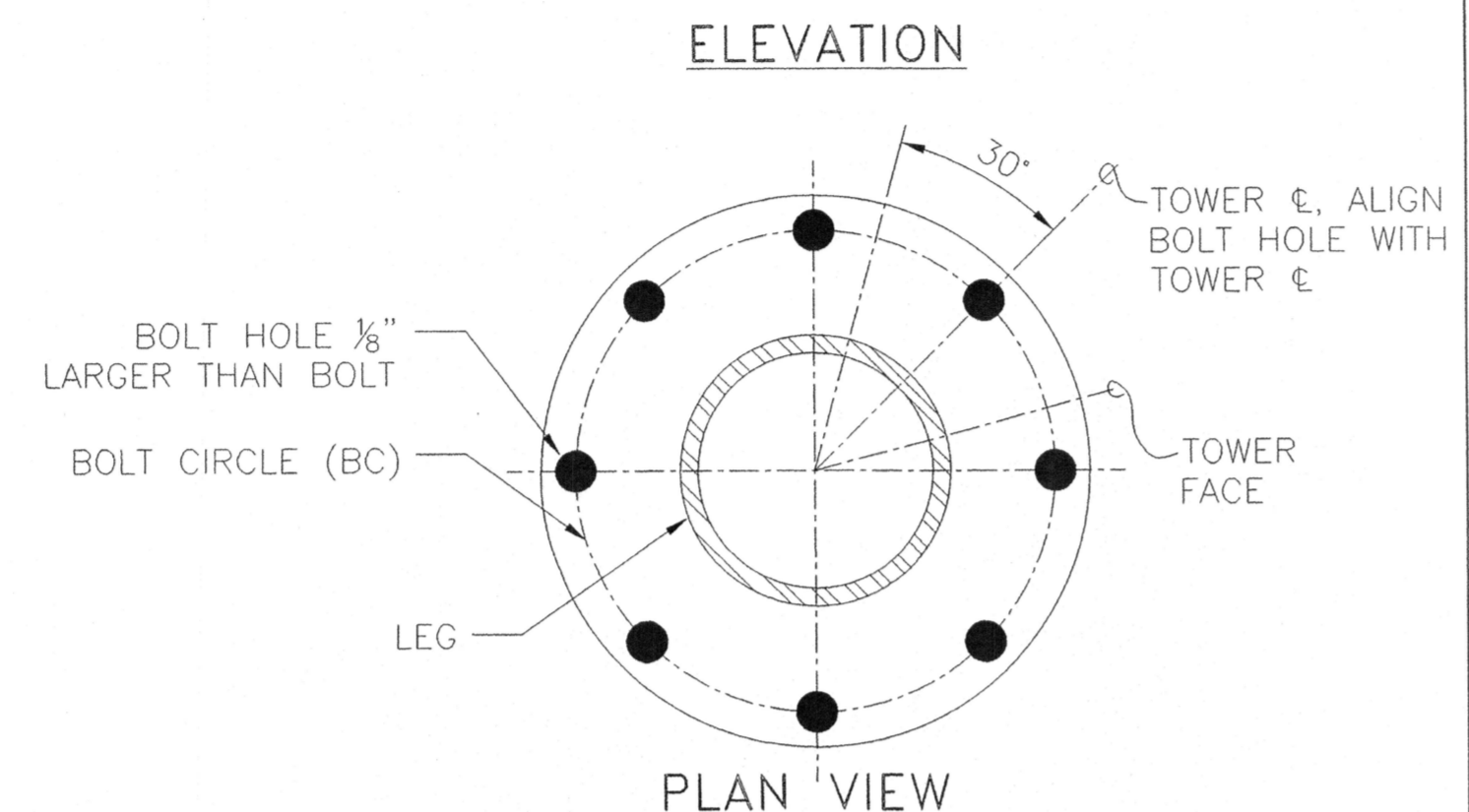


- NOTES:**
- UNITS ARE INCHES AND POUNDS.
 - INSIDE DIAMETER SHALL BE 1/8" LARGER THAN PIPE OD FOR REDUCING FLANGES.
 - REDUCING FLANGE MATERIAL IS A36.
 - SLIP ON FLANGES SHALL BE TAYLOR FORGE OR EQUAL; ASTM A181 [MIN YIELD=36KSI MIN TENSILE=70KSI]
 - "RED" INDICATES REDUCING.
 - A FLAT HARDENED WASHER IS ALWAYS REQUIRED UNDER BOLT HEAD AND NUT, EVEN WHEN LOCK WASHERS ARE USED.
 - HIGH STRENGTH A325 BOLTS SHALL BE FULLY PRE-TENSIONED.
 - NOTE THAT kw, kf, tw AND tp VALUES MAY DIFFER FOR TOP AND BOTTOM FLANGE.

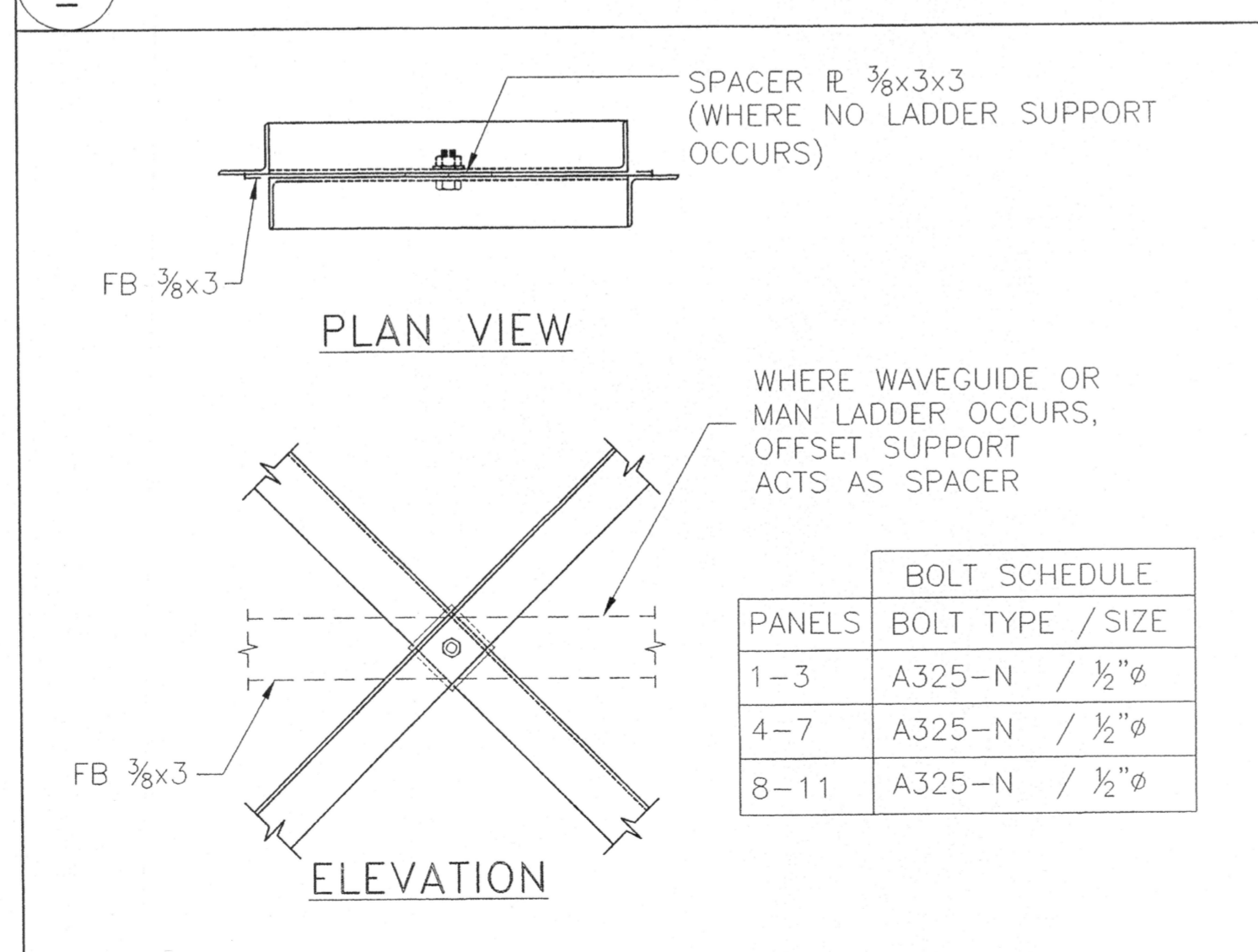
6 LEG SPLICE FLANGE



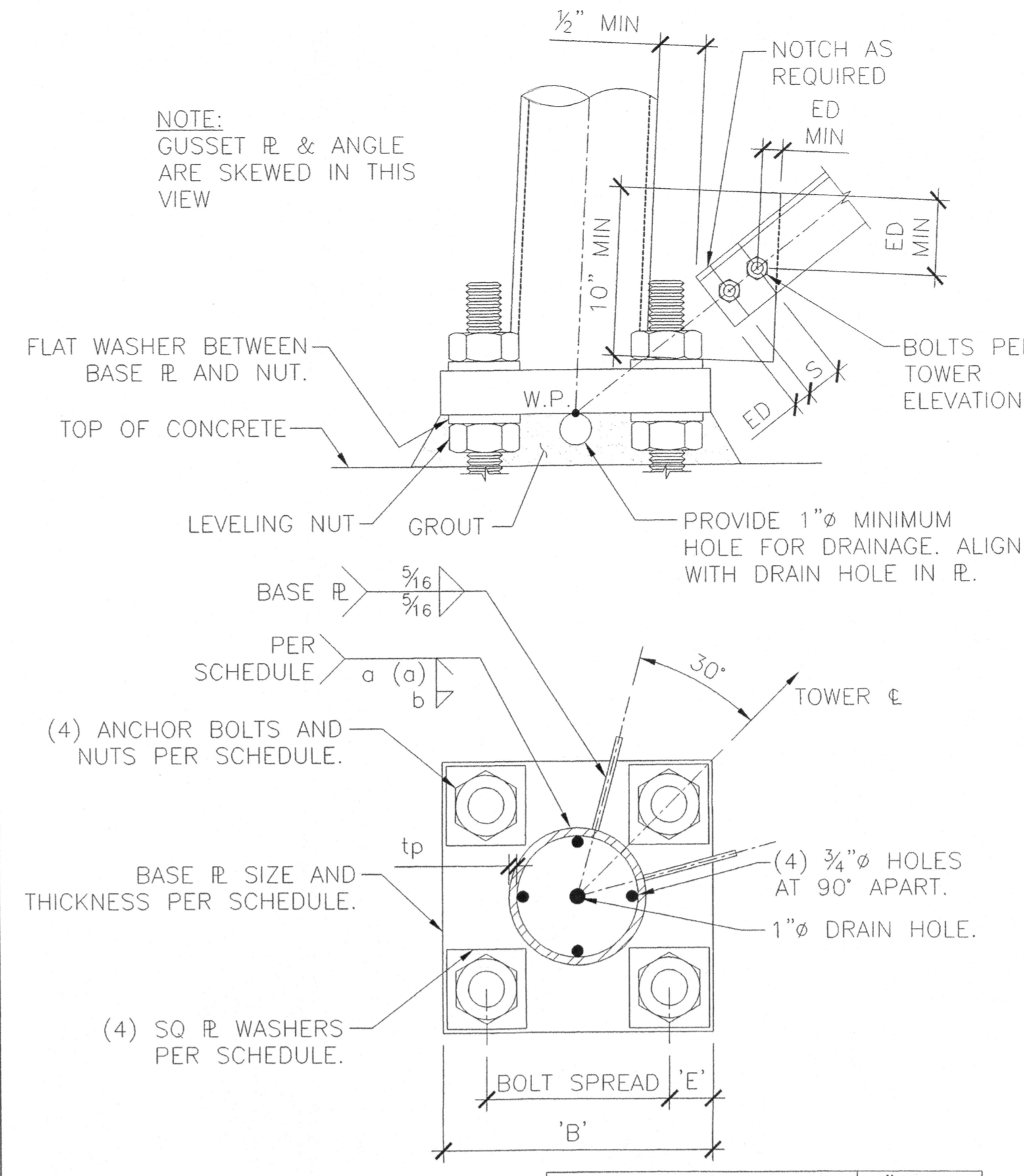
7 DIAGONAL AND GIRT TO LEG (AT SPLICE)



4 DIAGONAL TO LEG AT TOP

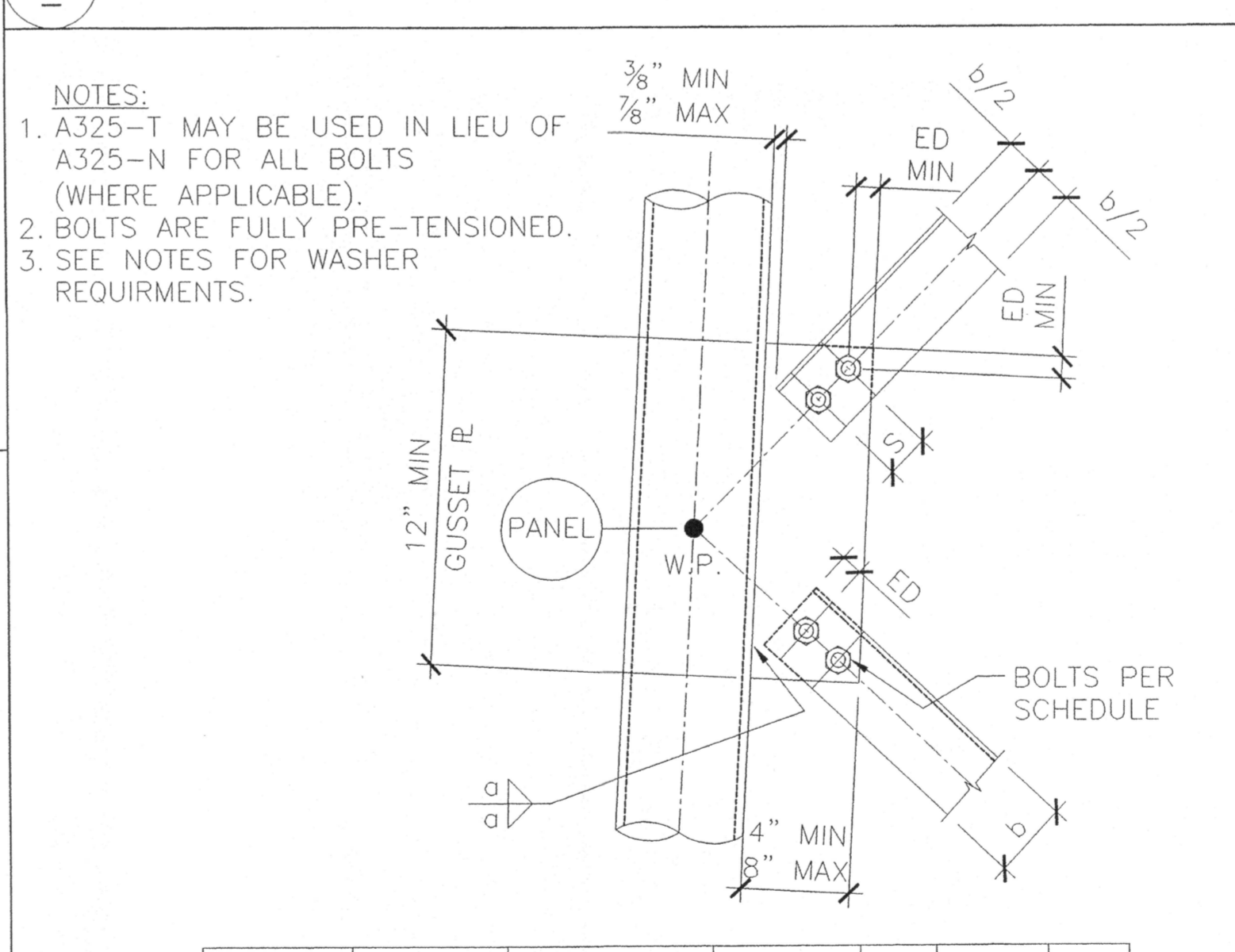


5 DIAGONAL INTERSECTION



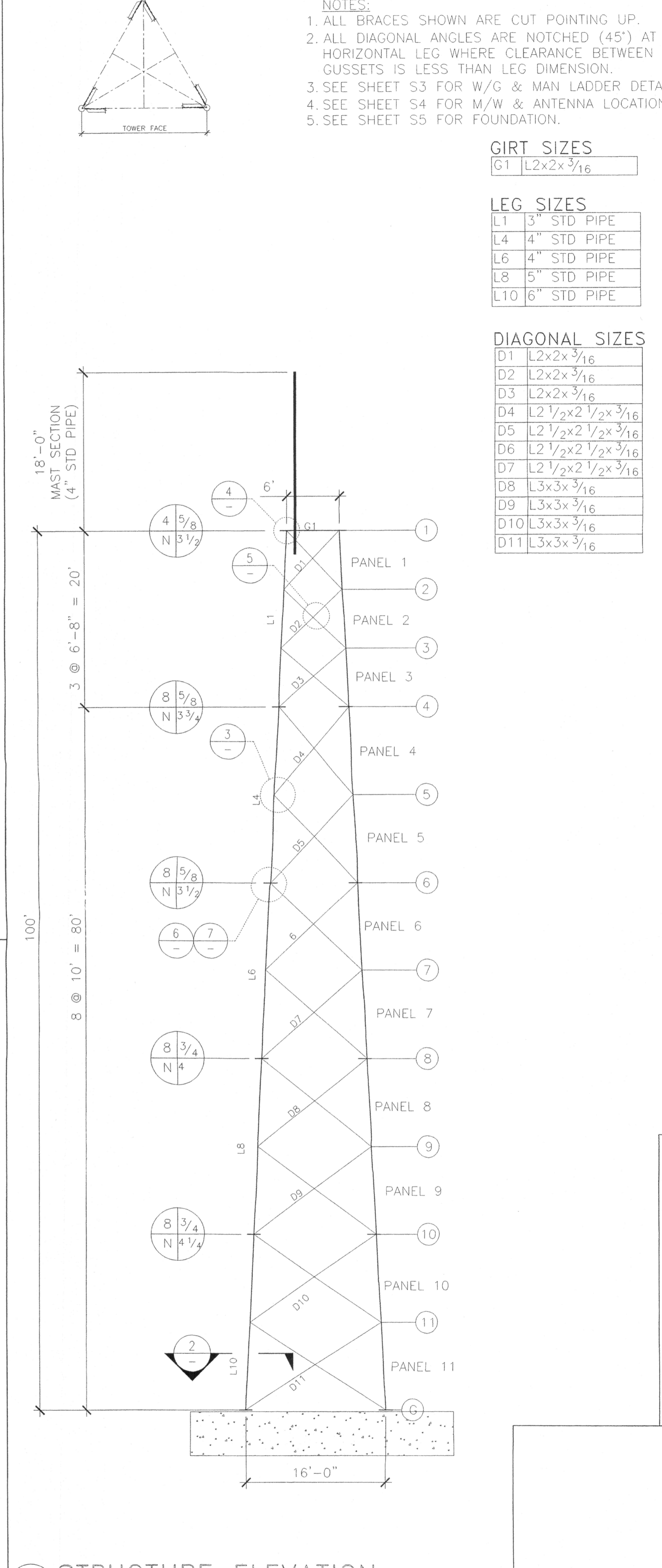
PIPE LEG	6" STD
tp (PIPE WALL)	0.280
ANCHOR BOLT DIAMETER	1 1/2
AB HOLE DIAMETER	2
SQ W WASHER	3/8 x 3 1/2
WELD 'a'	1/8
WELD 'b'	1/4
BASE PLATE THICKNESS	1 3/4
BASE PLATE WIDTH 'B'	13
EDGE DISTANCE 'E'	2 1/4
BOLT SPREAD	8 1/2

2 TOWER LEG TO BASEPLATE



PANELS	ANGLE SIZE	BOLT TYPE / SIZE	GUSSET PLATE	a	ED (MIN)	S
1-3	L2x2	A325-N 1/2" φ	1/4"	3/16	7/8"	1 1/2"
4-7	L2 1/2 x 2 1/2	A325-N 1/2" φ	1/4"	3/16	7/8"	1 1/2"
8-11	L3x3	A325-N 1/2" φ	1/4"	3/16	7/8"	1 1/2"

3 DIAGONAL TO LEG (NOT AT SPLICE)



1 STRUCTURE ELEVATION

- NOTES:**
- ALL BRACES SHOWN ARE CUT POINTING UP.
 - ALL DIAGONAL ANGLES ARE NOTCHED (45°) AT HORIZONTAL LEG WHERE CLEARANCE BETWEEN GUSSETS IS LESS THAN LEG DIMENSION.
 - SEE SHEET S3 FOR W/G & MAN LADDER DETAILS.
 - SEE SHEET S4 FOR M/W & ANTENNA LOCATIONS.
 - SEE SHEET S5 FOR FOUNDATION.

GIRT SIZES

G1	L2x2x 3/16
----	------------

LEG SIZES

L1	3" STD PIPE
L4	4" STD PIPE
L6	4" STD PIPE
L8	5" STD PIPE
L10	6" STD PIPE

DIAGONAL SIZES

D1	L2x2x 3/16
D2	L2x2x 3/16
D3	L2x2x 3/16
D4	L2 1/2 x 2 1/2 x 3/16
D5	L2 1/2 x 2 1/2 x 3/16
D6	L2 1/2 x 2 1/2 x 3/16
D7	L2 1/2 x 2 1/2 x 3/16
D8	L3x3x 3/16
D9	L3x3x 3/16
D10	L3x3x 3/16
D11	L3x3x 3/16